



V E T T E R S T O N E

MINNESOTA STONE® DETAIL BOOK

MAILING ADDRESS:
P.O. BOX 38
KASOTA, MN 56050

SHIPPING ADDRESS:
23894 THIRD AVE.
MANKATO, MN 56001

PHONE: (507) 345-4568
FAX: (507) 345-4777
EMAIL: INFO@VETTERSTONE.COM

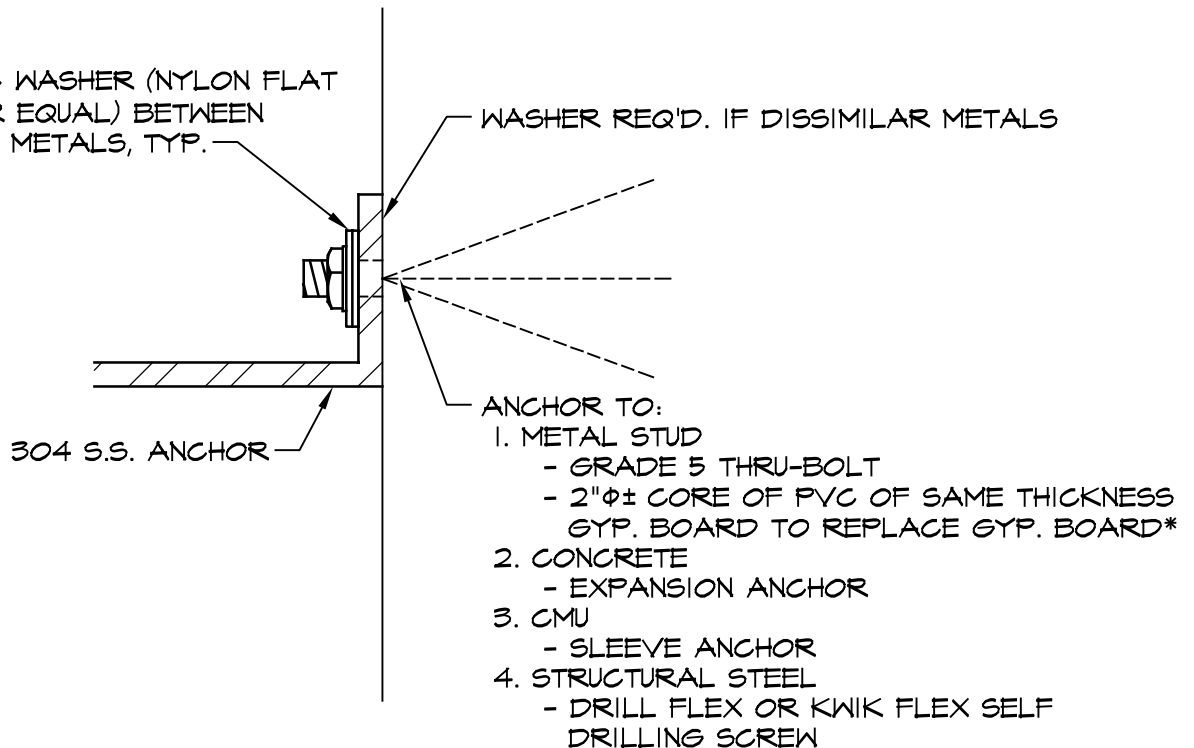
WEBSITE:
WWW.VETTERSTONE.COM

INDEX

- SECTION 1. ANCHORS
- SECTION 2. CORNER AND JOINT DETAILS
- SECTION 3. WALL FACING: SPLITFACE, CUTSTONE, PANEL SIZES
- SECTION 4. SILL, JAMB, HEADER AND THRESHOLD DETAILS
- SECTION 5. CAP AND COPING DETAILS
- SECTION 6. WATERTABLE AND BANDING DETAILS
- SECTION 7. SOFFIT AND FASCIA DETAILS
- SECTION 8. COLUMN FACING DETAILS
- SECTION 9. PAVER, FLOORING, AND FLAGSTONE DETAILS
- SECTION 10. TREAD, RISER, AND NOSING DETAILS
- SECTION 11. RADIAL STONE DETAILS
- SECTION 12. LANDSCAPE BLOCKS
- SECTION 13. THINSET VENEER DETAILS
- SECTION 14. COLUMNS AND BALUSTERS

ANCHORING INSTRUCTIONS

DIELECTRIC WASHER (NYLON FLAT WASHER OR EQUAL) BETWEEN DISSIMILAR METALS, TYP.



*THIS MAY NOT BE NECESSARY IF SHEATHING MATERIAL IS OF ADEQUATE COMPRESSIVE STRENGTH OR PLASTIC SHIM IS USED TO SPREAD THE LOAD.

GENERAL NOTES

NOTE A: ANCHORS ARE TO BE SET IN COMPRESSIBLE NON-BLEEDING MATERIAL. SLOT AT TOP OF STONE MUST BE FILLED WITH THE SAME MATERIAL OR MORTAR.

NOTE B: MORTAR OR SHIM BETWEEN STEEL AND STONE



V E T T E R S T O N E

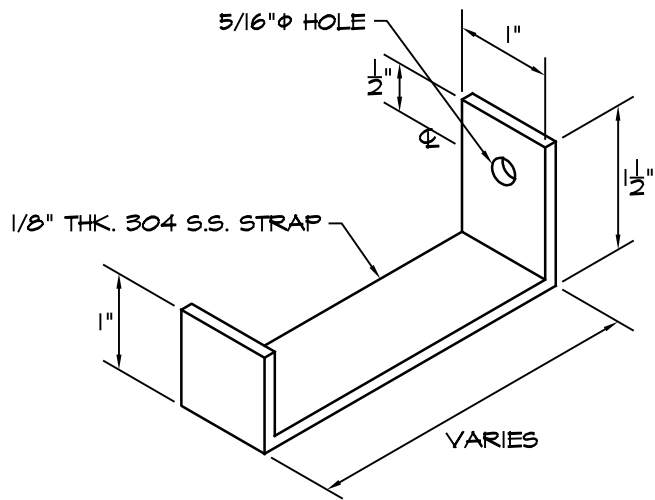
SHEET DESCRIPTION:
ANCHORS

SCALE: 6" = 1'-0"

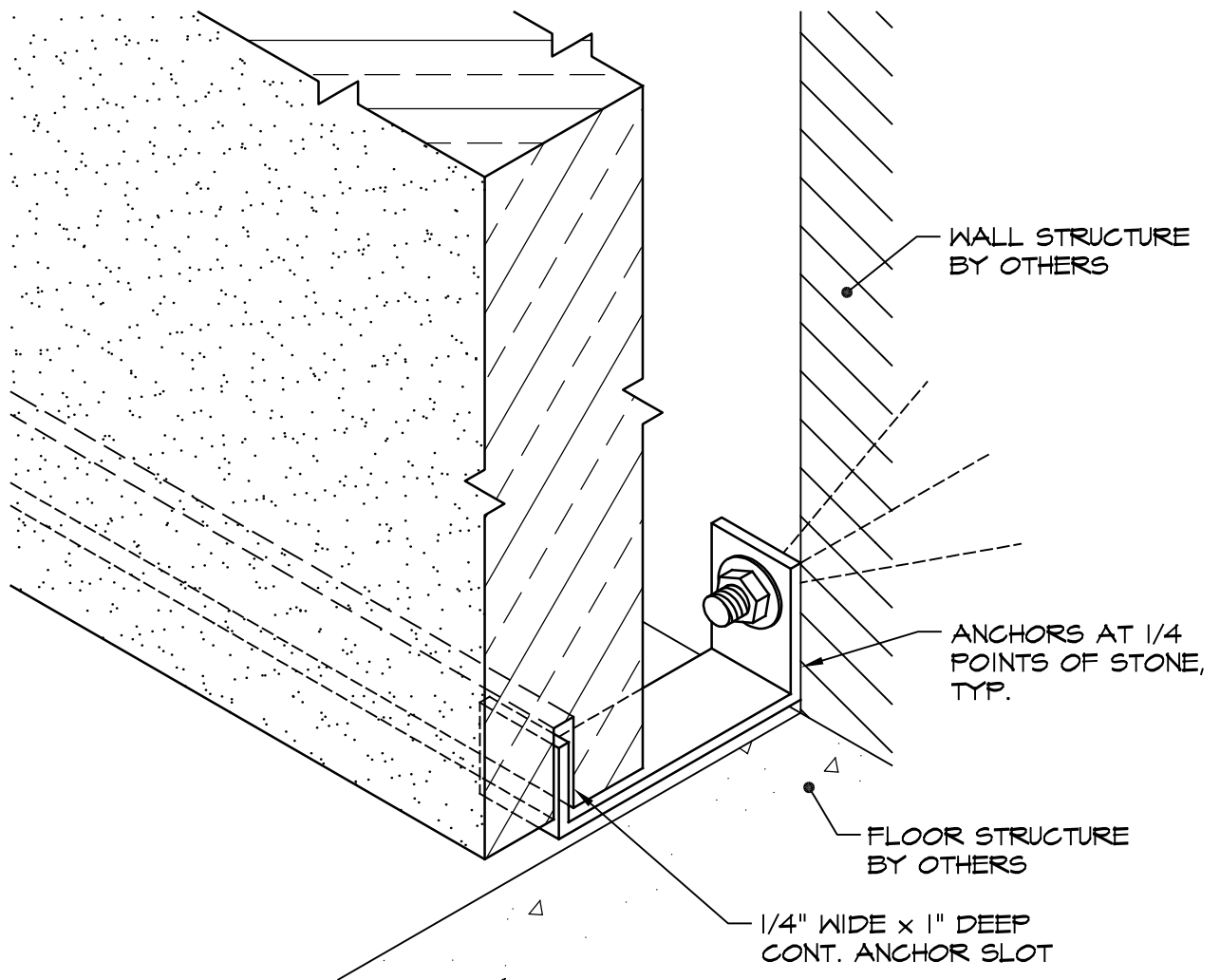
SHEET #:

1.1

REV. 07.27.12



"U" STRAP ANCHOR



STONE VENEER AT BASE OF WALL OR ADJACENT MATERIAL



V E T T E R S T O N E

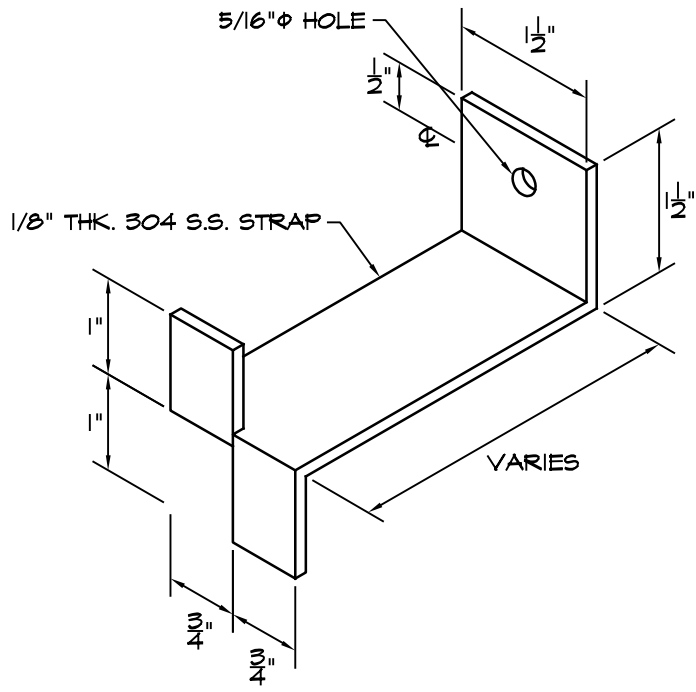
SHEET DESCRIPTION:
ANCHORS

SCALE: 6" = 1'-0"

SHEET #:

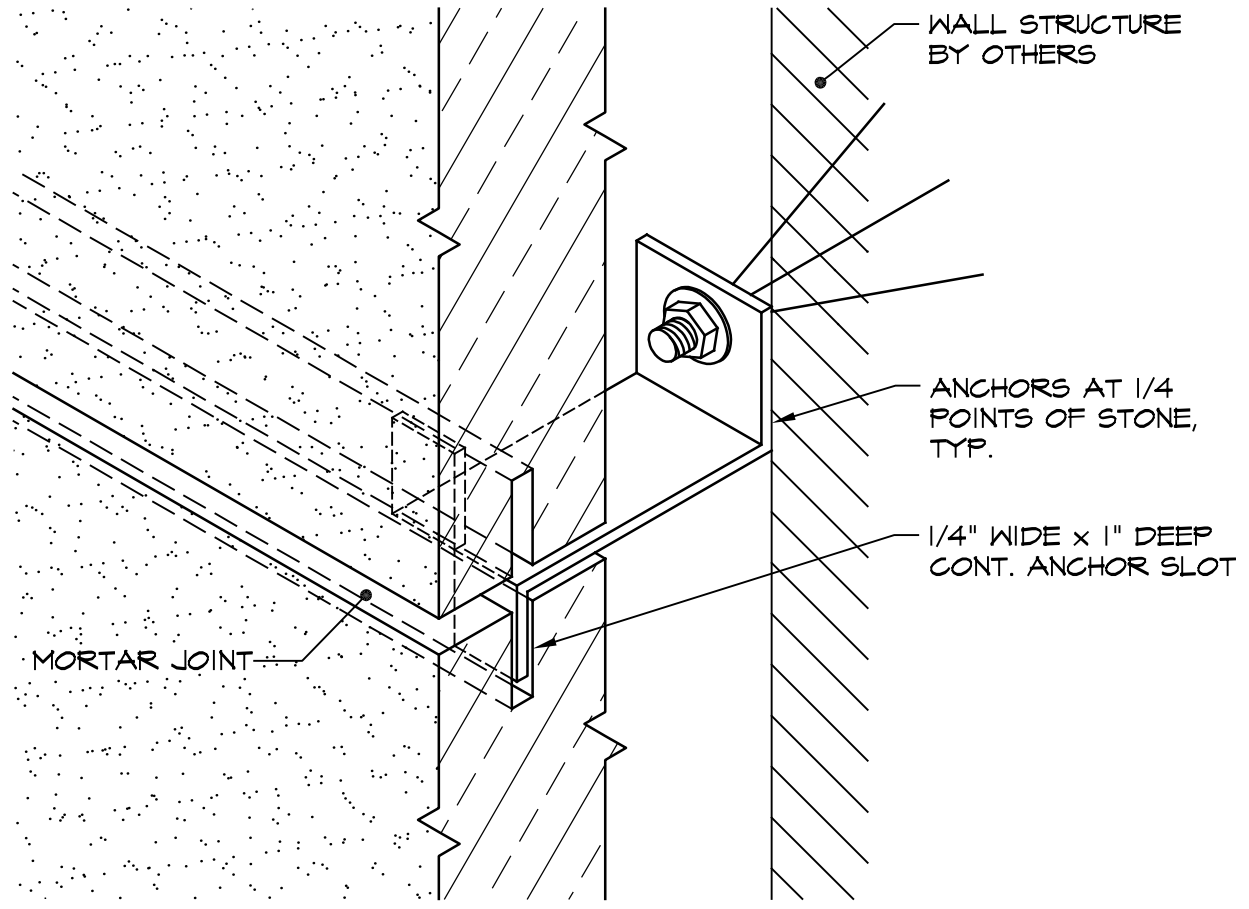
1.2

REV. 07.27.12



SPLIT TAIL ANCHOR

SEE NOTE "A"
ON SHEET 1.1



STONE VENEER AT INTERMEDIATE WALL CONNECTION



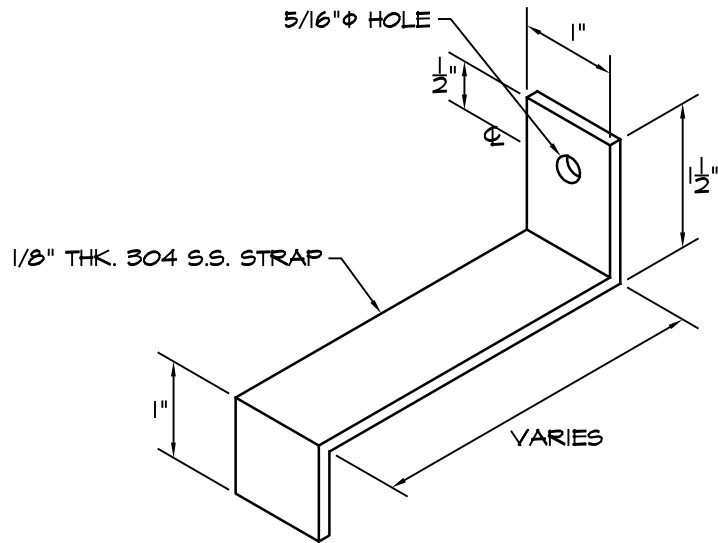
SHEET DESCRIPTION:
ANCHORS

SCALE: 6" = 1'-0"

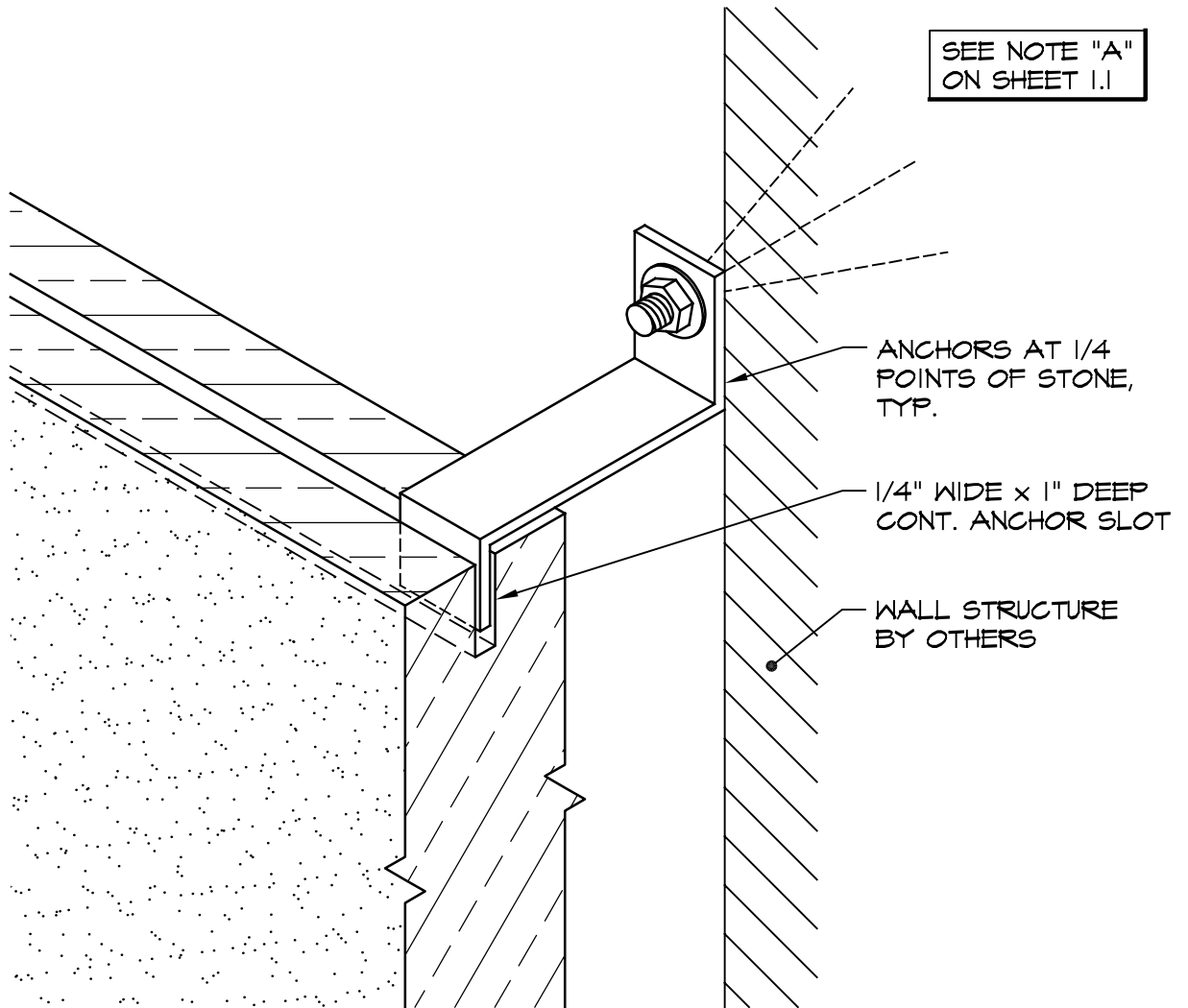
SHEET #:

1.3

REV. 07.27.12



"Z" STRAP ANCHOR



STONE VENEER ANCHOR AT ADJACENT MATERIAL



V E T T E R S T O N E

SHEET DESCRIPTION:
ANCHORS

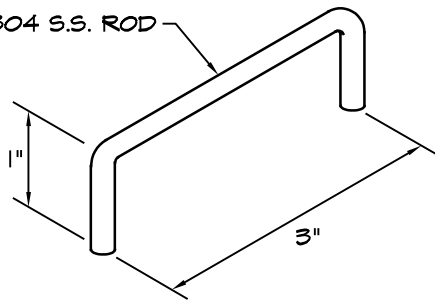
SCALE: 6" = 1'-0"

SHEET #:

1.4

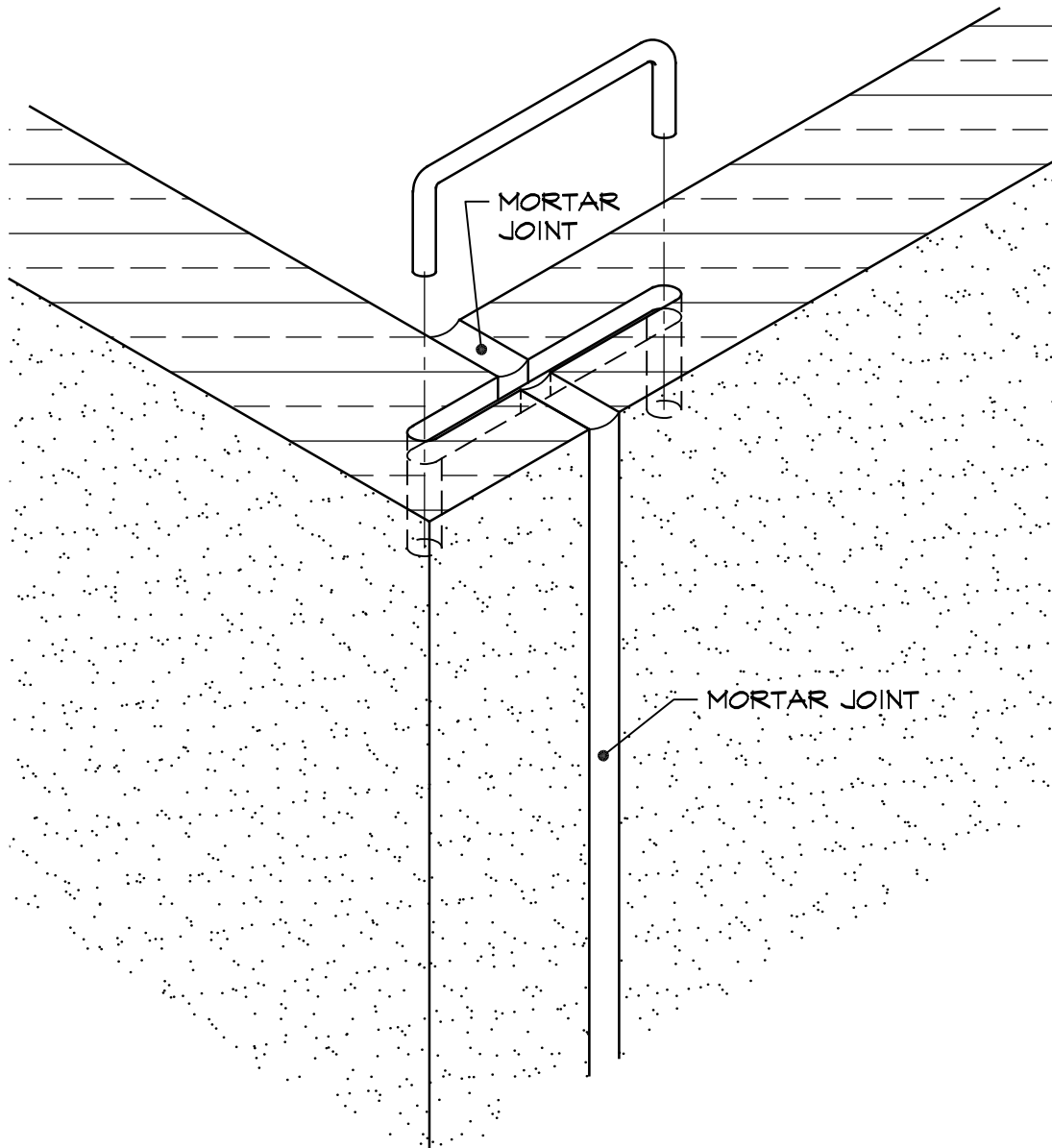
REV. 07.27.12

1/4" DIA. 304 S.S. ROD



"CRAMP" ANCHOR

SEE NOTE "A"
ON SHEET 1.1



CORNER STONE VENEER CONNECTION



V E T T E R S T O N E

SHEET DESCRIPTION:
ANCHORS

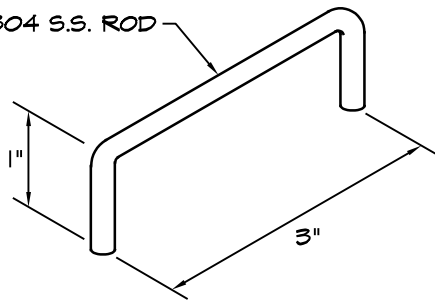
SCALE: 6" = 1'-0"

SHEET #:

1.5

REV. 07.27.12

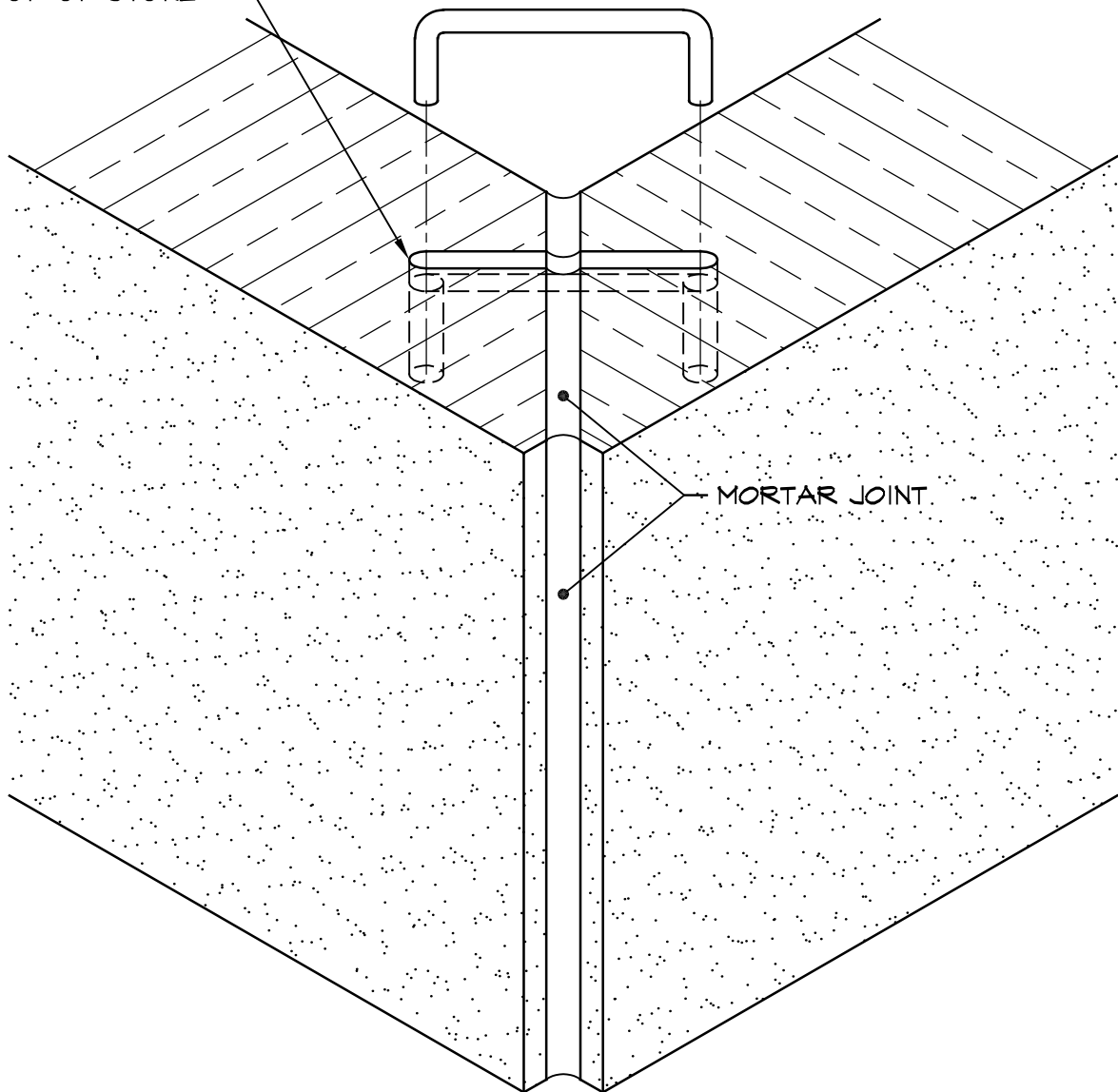
1/4" DIA. 304 S.S. ROD



"CRAMP" ANCHOR

SEE NOTE "A"
ON SHEET 1.1

1/2" DIA. x 1" DP. HOLE AND
1/4" DP. CTSK. PROVIDED
AT TOP OF STONE



CORNER STONE VENEER CONNECTION



V E T T E R S T O N E

SHEET DESCRIPTION:
ANCHORS

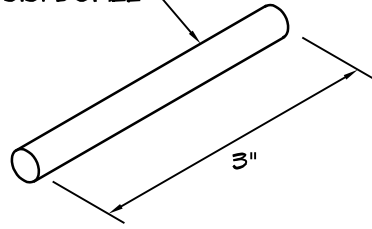
SCALE: 6" = 1'-0"

SHEET #:

1.5A

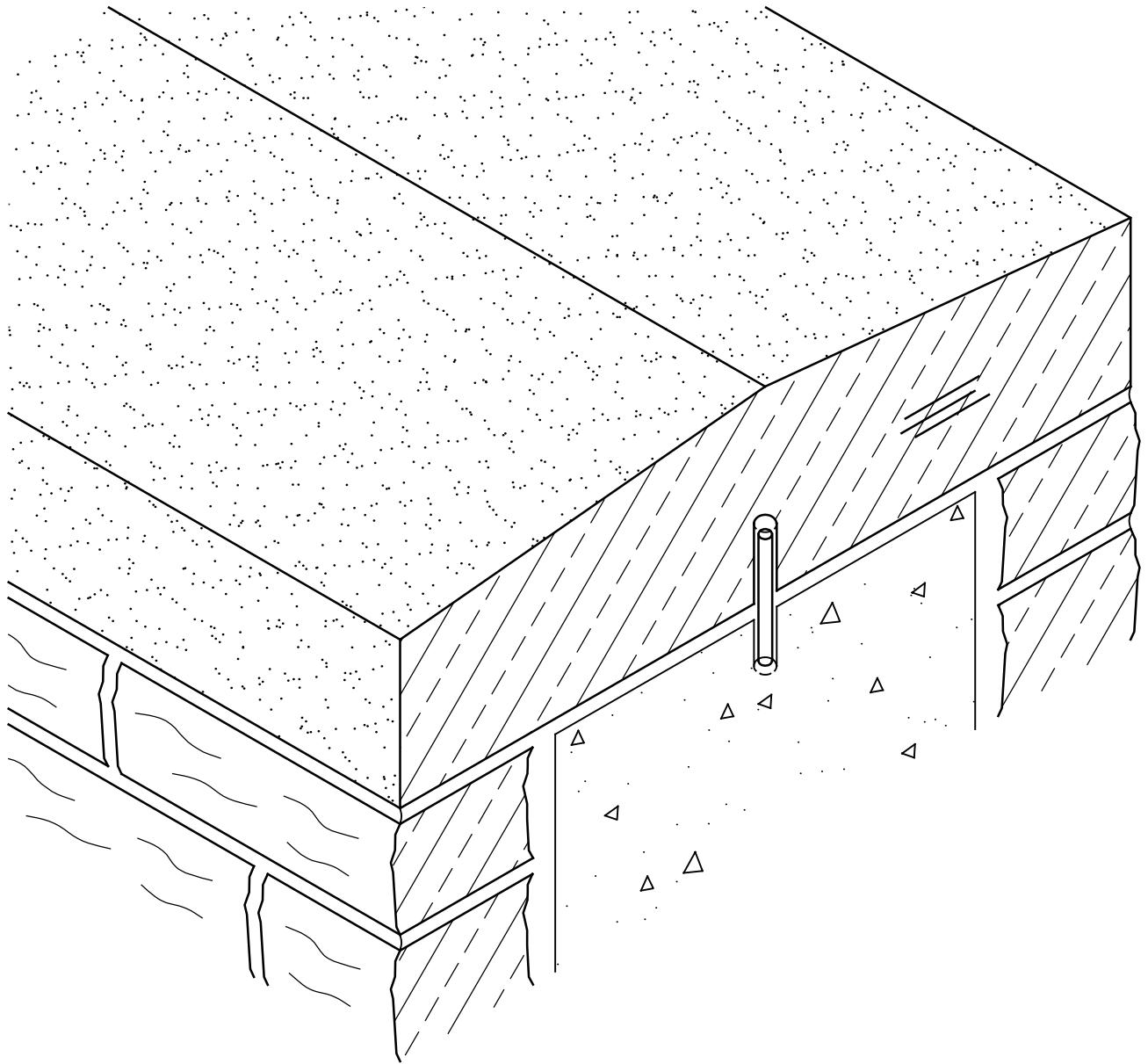
REV. 10.10.17

3/8" DIA. 304 S.S. DOWEL



"DOWEL" ANCHOR

SEE NOTE "A"
ON SHEET 1.1



STONE CAP ANCHOR



V E T T E R S T O N E

SHEET DESCRIPTION:
ANCHORS

SCALE: 3" = 1'-0"

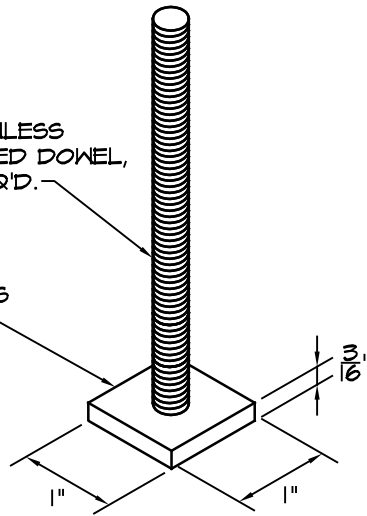
SHEET #:

1.6

REV. 07.27.12

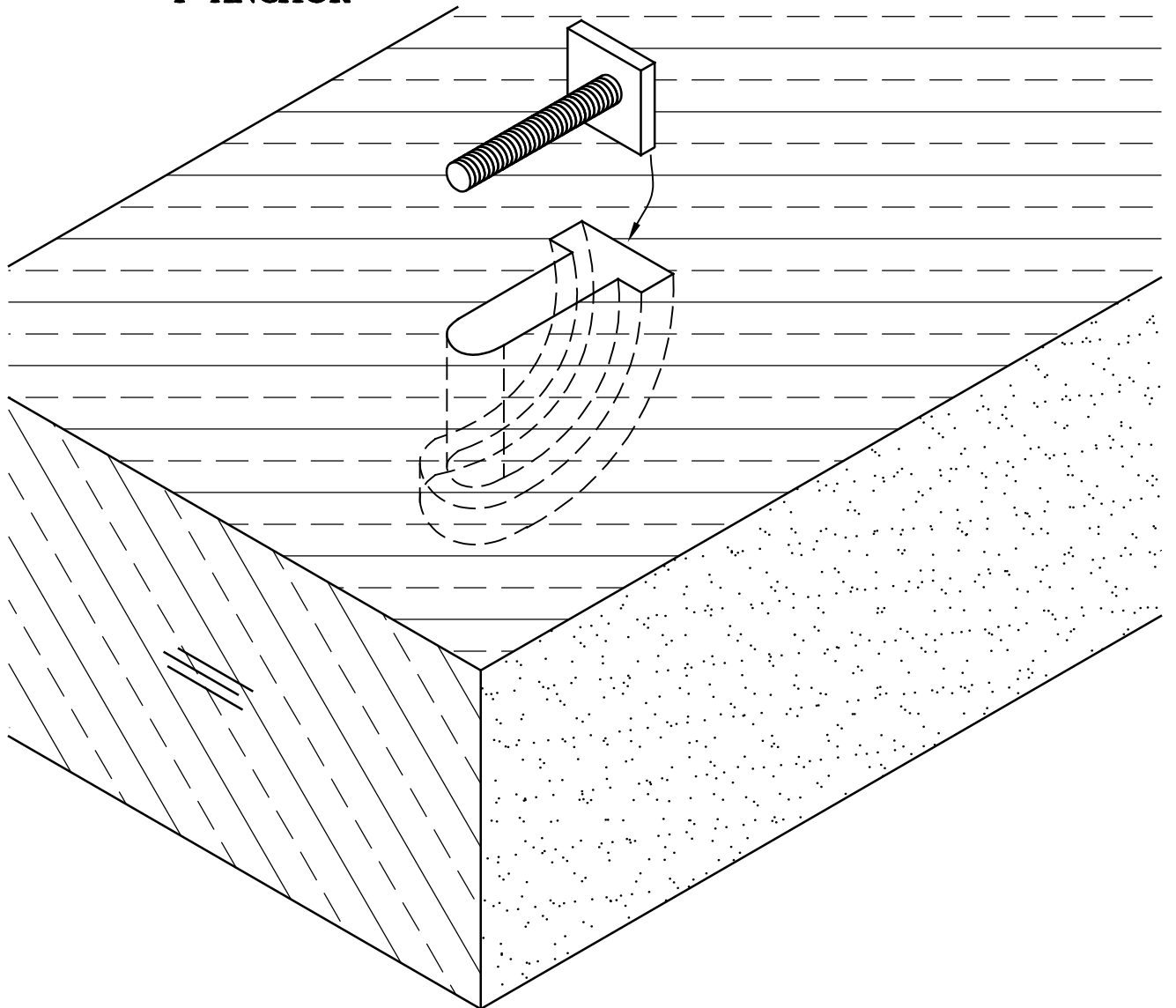
3/8" DIA. STAINLESS
STEEL THREADED DOWEL,
LENGTH AS REQ'D.

3/16" STAINLESS
STEEL PLATE



SEE NOTE "A"
ON SHEET 1.1

"T" ANCHOR



STONE SOFFIT CONNECTION



V E T T E R S T O N E

SHEET DESCRIPTION:
ANCHORS

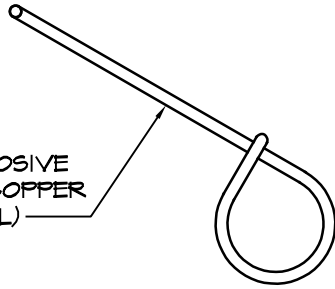
SCALE: 6" = 1'-0"

SHEET #:

1.7

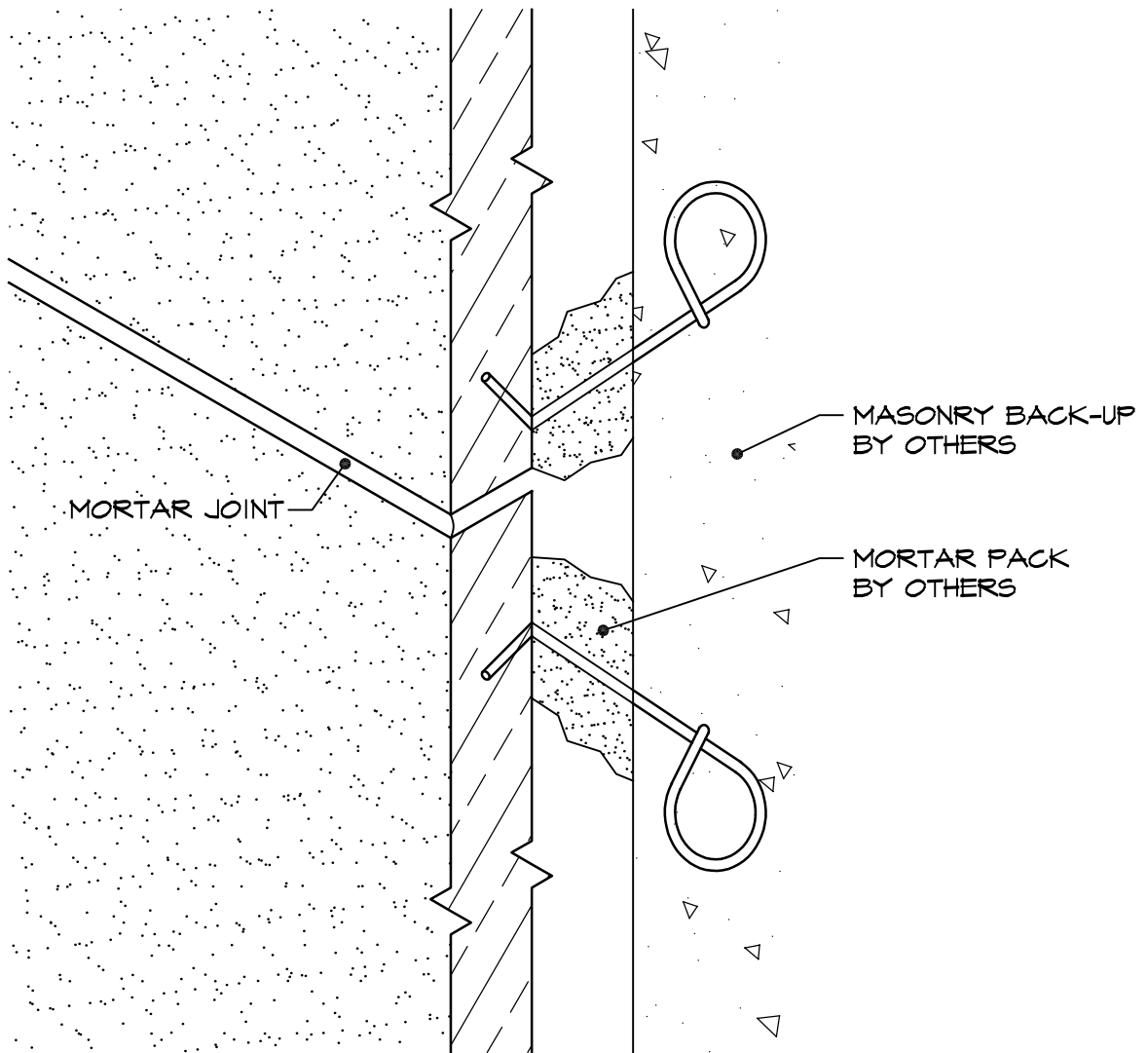
REV. 07.27.12

1/8" DIA. NON-CORROSIVE
WIRE TIE ANCHOR (COPPER
OR STAINLESS STEEL)



FOR INTERIOR USE ONLY

"WIRE TIE" ANCHOR



THIN STONE VENEER CONNECTION



V E T T E R S T O N E

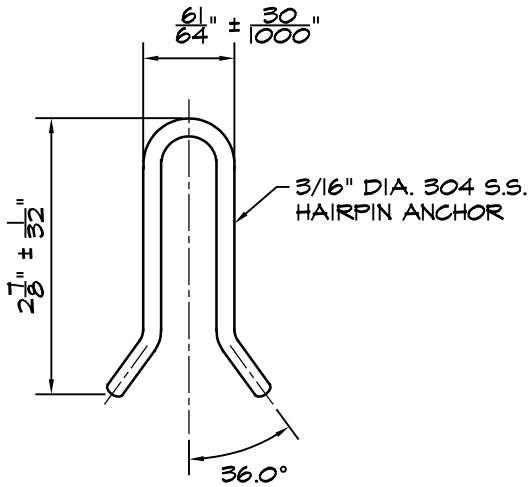
SHEET DESCRIPTION:
ANCHORS

SCALE: 6" = 1'-0"

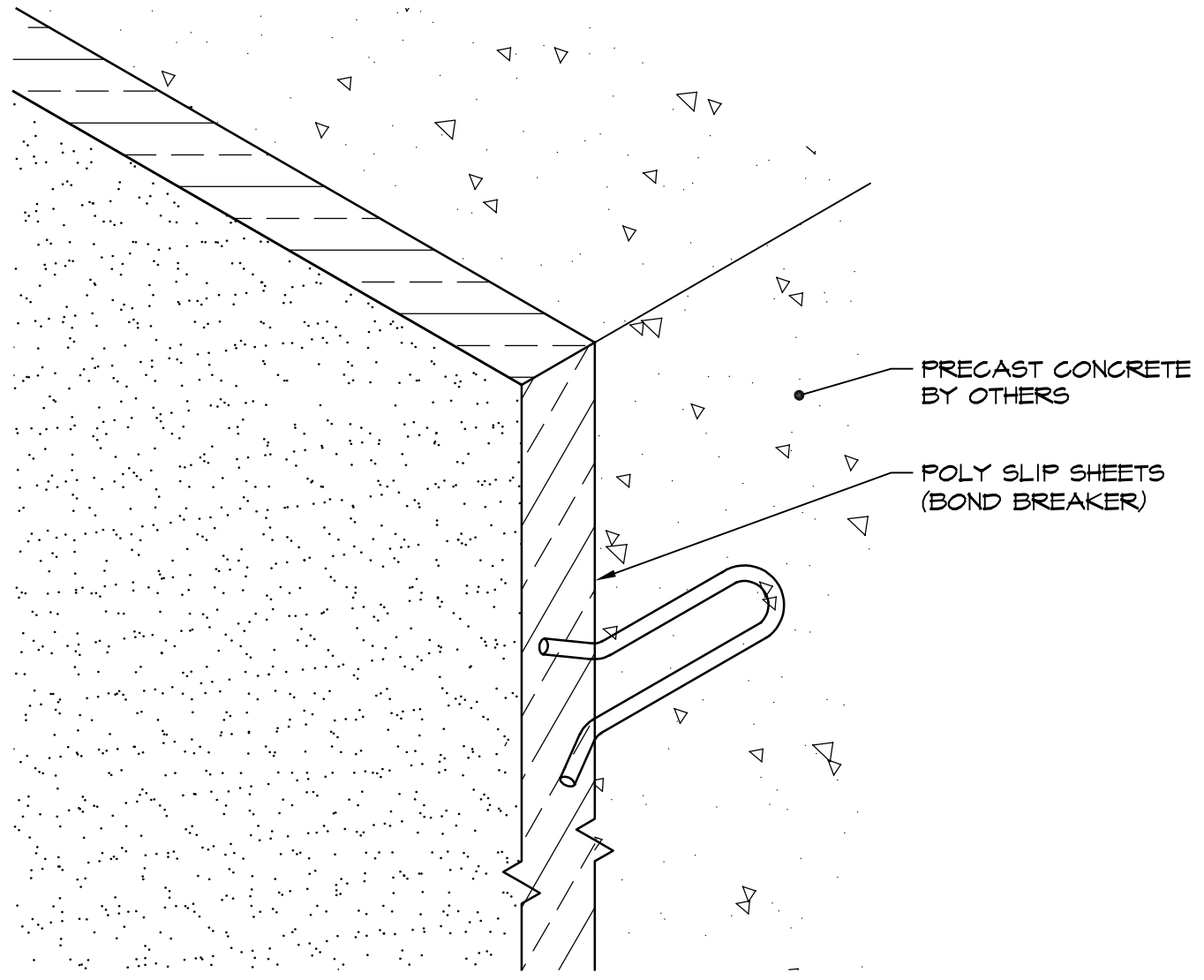
SHEET #:

1.8

REV. 07.27.12



"HAIRPIN" ANCHOR



STONE CLAD PRECAST CONCRETE



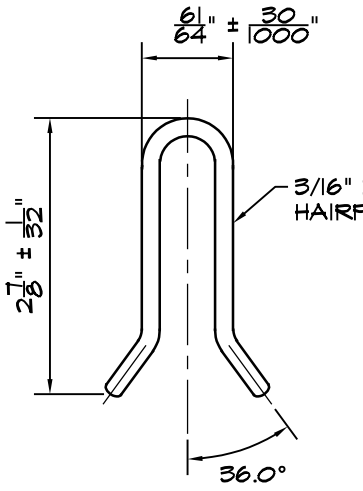
**SHEET DESCRIPTION:
ANCHORS**

SCALE: 6" = 1'-0"

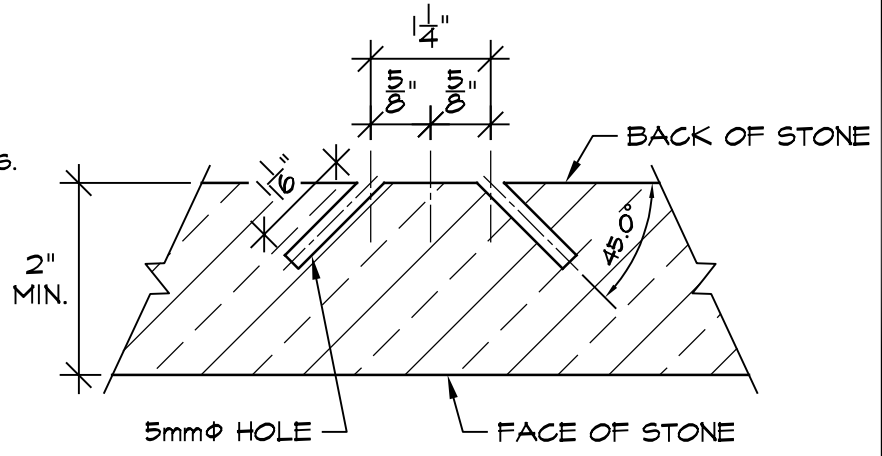
SHEET #:

1.9

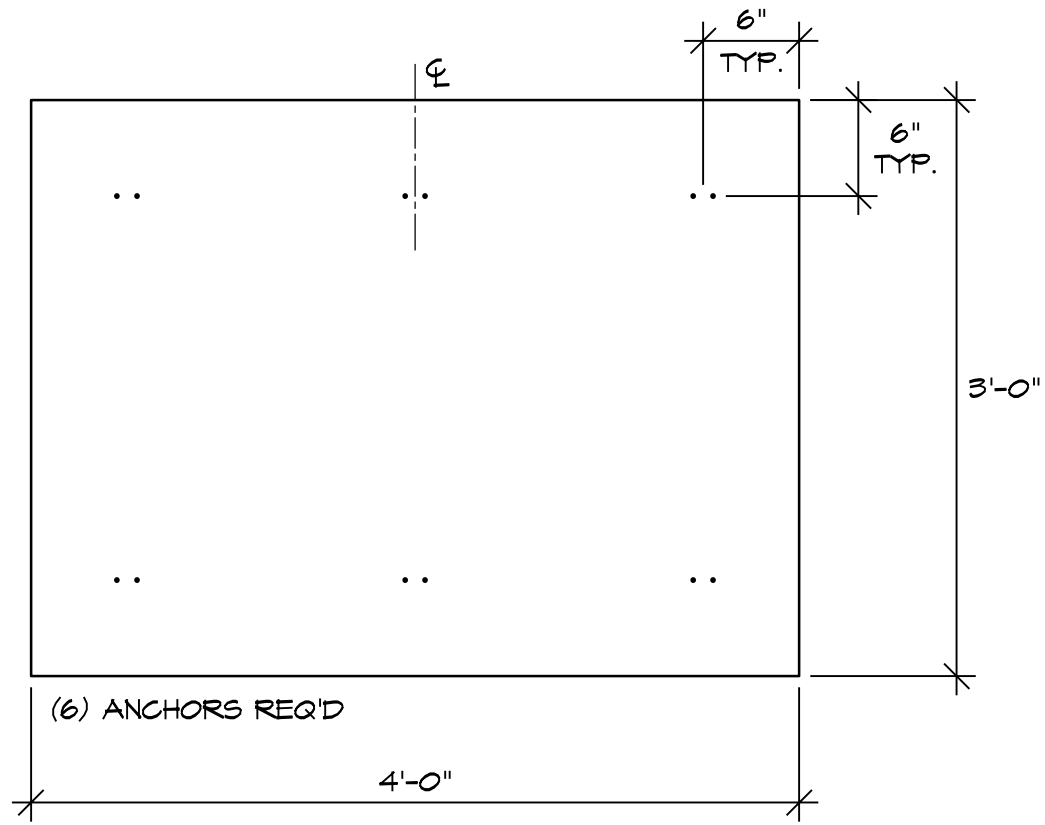
REV. 07.27.12



"HAIRPIN" ANCHOR



SECTION



BACK ELEVATION

STONE CLAD PRECAST CONCRETE



SHEET DESCRIPTION:
ANCHORS

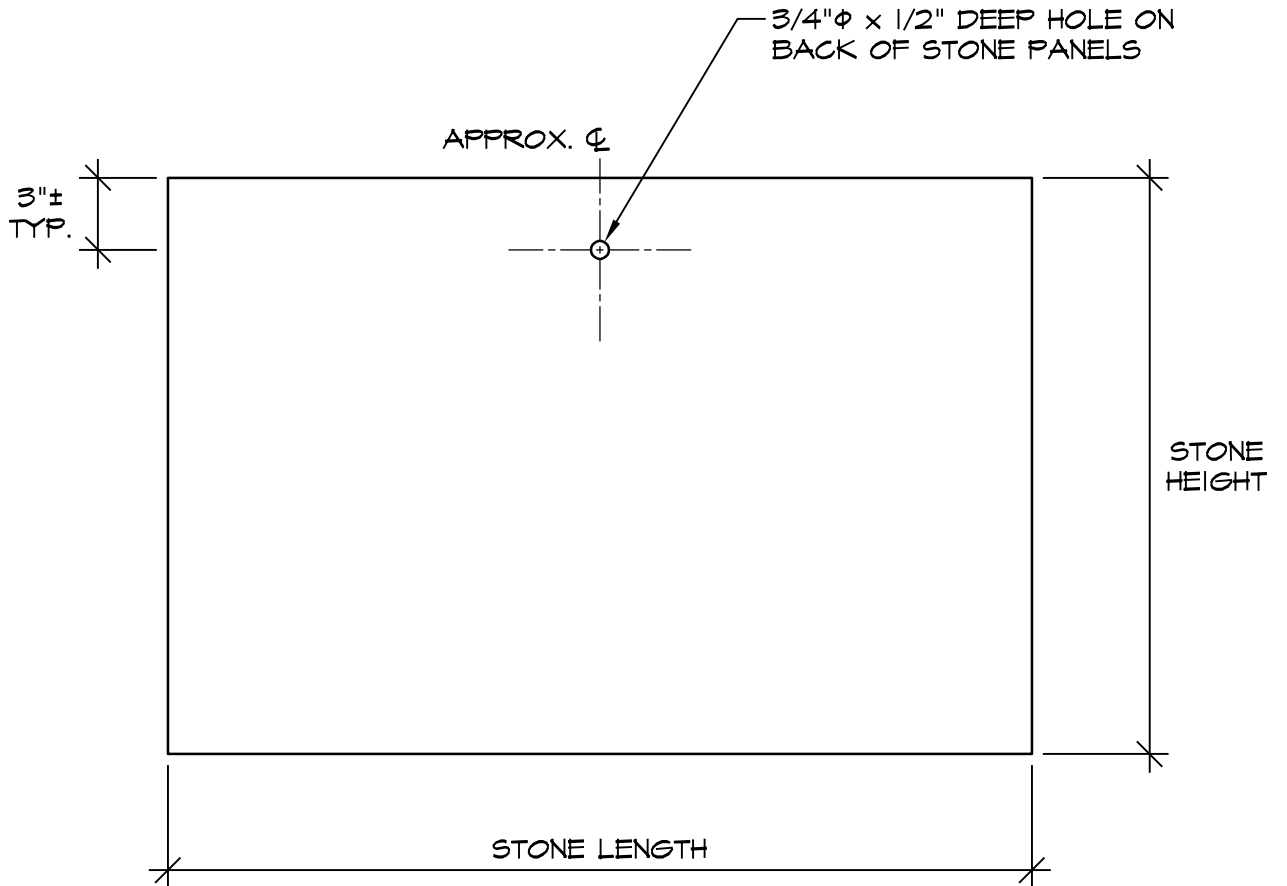
SCALE: 6" = 1'-0" & 1" = 1'-0"

SHEET #:

1.10

REV. 07.27.12

* LIFT HOLE ONLY REQUIRED ON STONE
PANELS THAT WEIGH OVER 100 POUNDS



STONE BACK ELEVATION

TYPICAL LIFT HOLE LOCATION



V E T T E R S T O N E

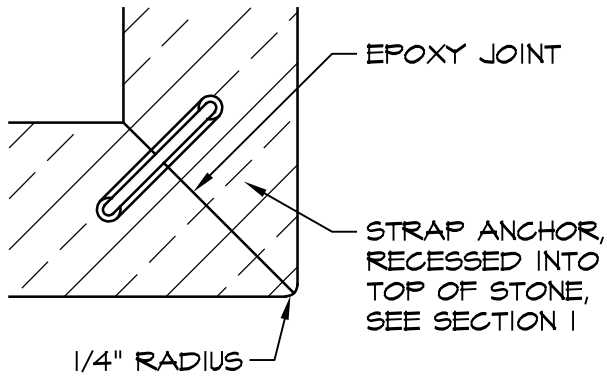
**SHEET DESCRIPTION:
ANCHORS**

SCALE: 1 1/2" = 1'-0"

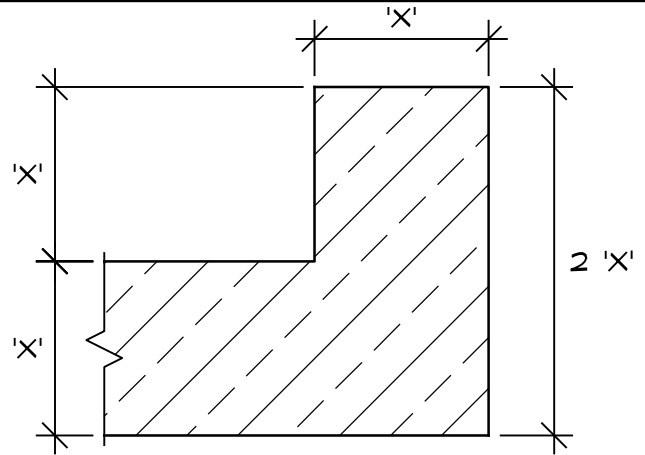
SHEET #:

1.10A

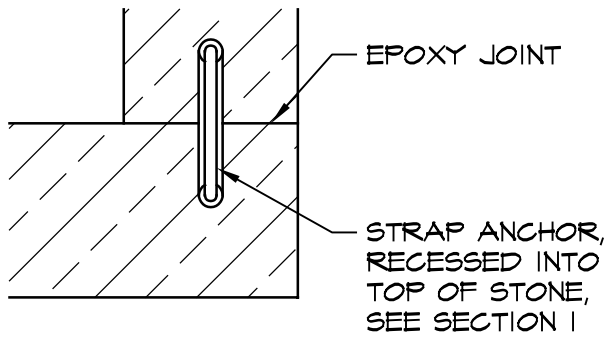
REV. 04.04.13



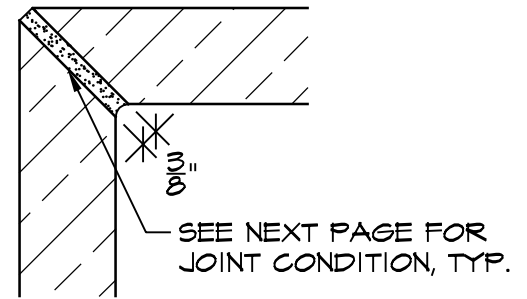
EPOXY MITER CORNER



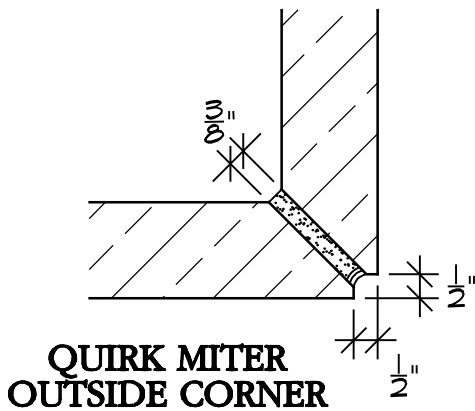
'L' CORNER



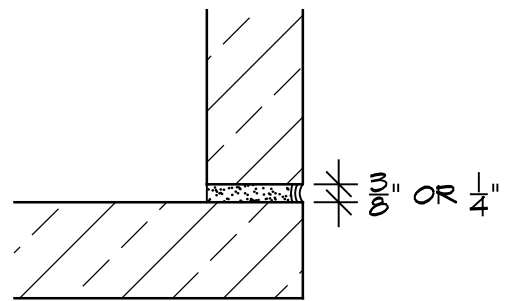
EPOXY BUTT CORNER



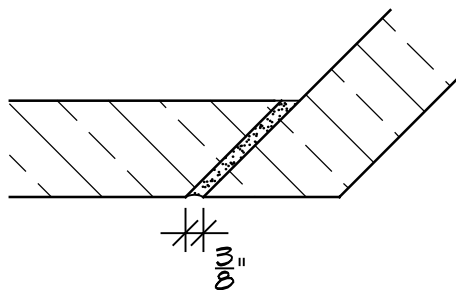
MITER INSIDE CORNER



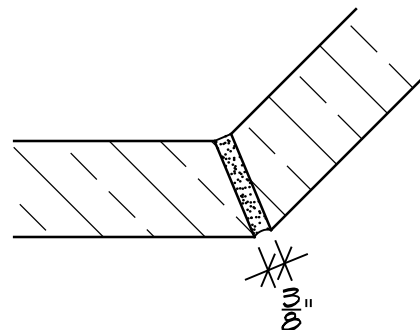
QUIRK MITER OUTSIDE CORNER



BUTT JOINT OUTSIDE CORNER



ANGLED OUTSIDE CORNER



ANGLED OUTSIDE CORNER



V E T T E R S T O N E

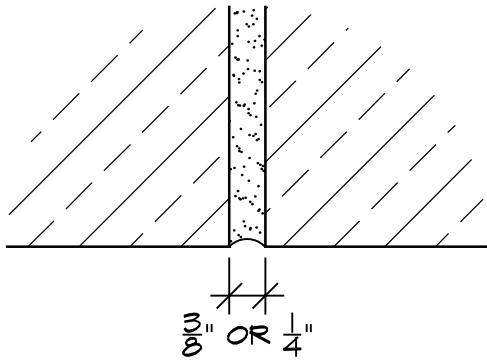
SHEET DESCRIPTION:
CORNERS

SCALE: 3" = 1'-0"

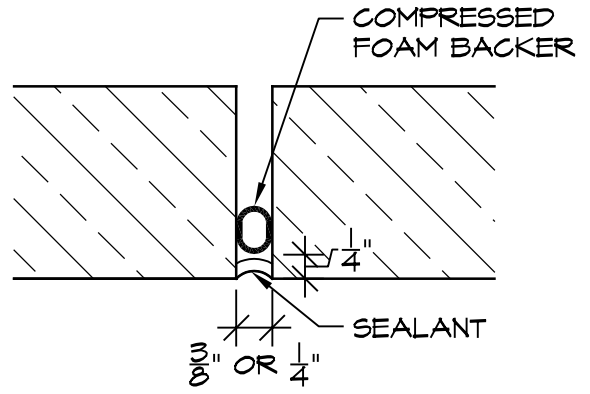
SHEET #:

2.1

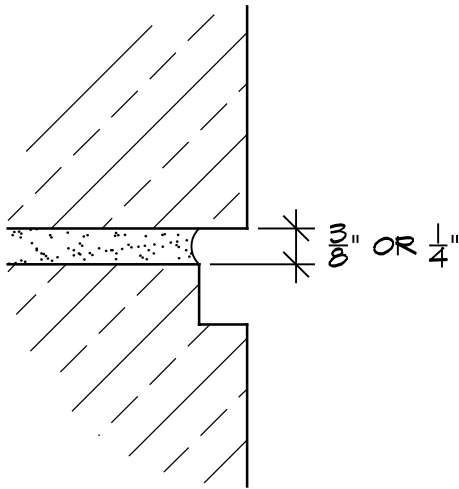
REV. 10.10.17



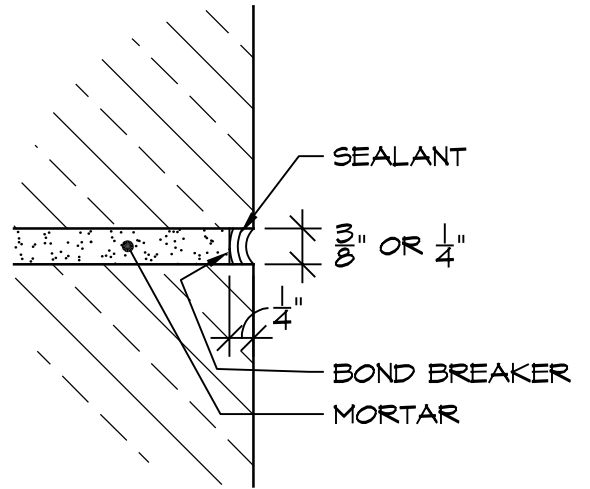
TYPICAL JOINT



**MORTARLESS JOINT
(VERTICAL JOINT)**



USED FOR JOINT EMPHASIS



HORIZONTAL JOINT



V E T T E R S T O N E

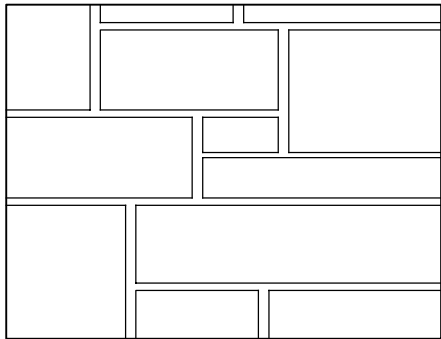
**SHEET DESCRIPTION:
JOINTS**

SCALE: 6" = 1'-0"

SHEET #:

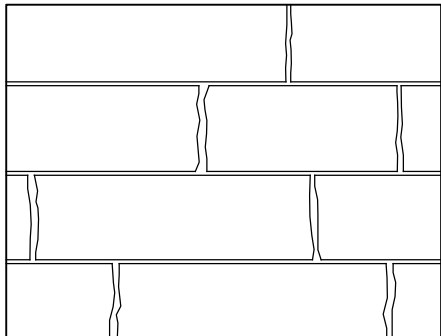
2.2

REV. 07.27.12



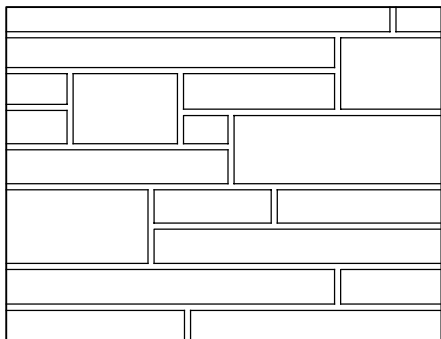
RANDOM ASHLAR PATTERN, IN COLORS OF PINK, BUFF, CREAM, GREY AND BLENDING VARIATIONS WITH HEIGHT RANGES OF: 15% 2 1/6" AND 50% 4 5/6" AND 35% 7 1/2". STANDARD JOINT SIZE 1/2".

3-HEIGHT RANDOM ASHLAR - SAWN BEDS (MINNESOTA VALLEY)



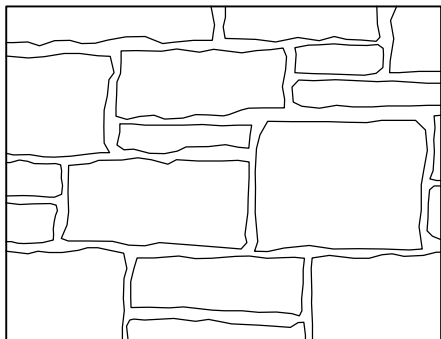
STRAIGHT COURSED OF ALL ONE HEIGHT: 2 1/6", 3 1/2", 4 5/6", AND 7 1/2" PATTERN IN COLORS OF PINK, BUFF, CREAM, GREY AND BLENDING VARIATIONS, WITH COMBINATION OF SPLIT AND SAWED ENDS. STANDARD JOINT SIZE 1/2".

SINGLE HEIGHT COURSED ASHLAR - SAWN BEDS (NORTHERN VALLEY)



RANDOM ASHLAR PATTERN, IN COLORS OF PINK, BUFF, CREAM, GREY AND BLENDING VARIATIONS WITH HEIGHT RANGES OF: 40% 2 1/6" AND 60% 4 5/6". STANDARD JOINT SIZE 1/2".

2-HEIGHT RANDOM ASHLAR - SAWN BEDS (MINNESOTA RIVER)



RANDOM ASHLAR PATTERN, IN COLORS OF PINK, BUFF, CREAM, GREY, WHITE AND BLENDING VARIATIONS WITH HEIGHT RANGES OF: 20% 1 1/2"-3" AND 50% 3"-6" AND 30% 6"-9". STANDARD JOINT SIZE 3/8" TO 1 1/2".

3-HEIGHT FLEURI RANDOM ASHLAR - SPLIT BEDS (NORTHERN FOREST)



V E T T E R S T O N E

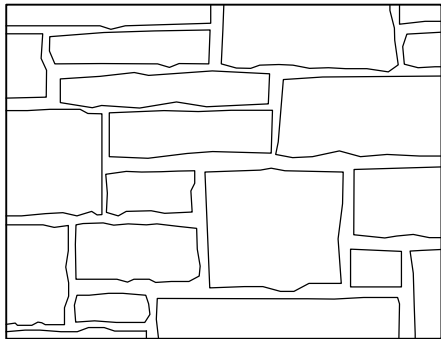
SHEET DESCRIPTION:
WALL FACING
SPLITFACE VENEER PATTERNS

SCALE: N.T.S

SHEET #:

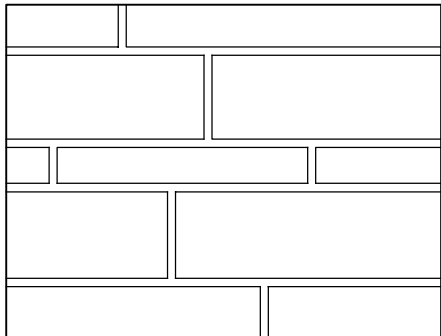
3.1

REV. 02.28.24



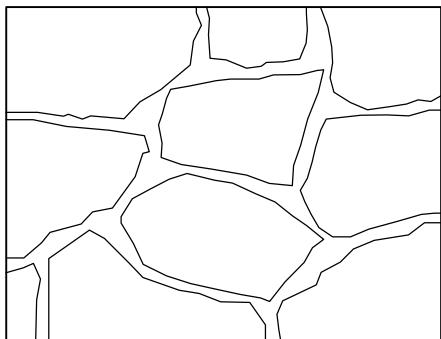
SHALL BE LAID IN RANDOM ASHLAR PATTERN AND SHALL BE FURNISHED IN RANDOM LENGTH STRIPS WITH HEIGHT RANGES OF: 20% 1 1/2"-3" AND 50% 3"-6" AND 30% 6"-9". STANDARD JOINT SIZE 3/8" TO 1 1/2".

MINNESOTA QUARRY CREEK RANDOM ASHLAR STONE



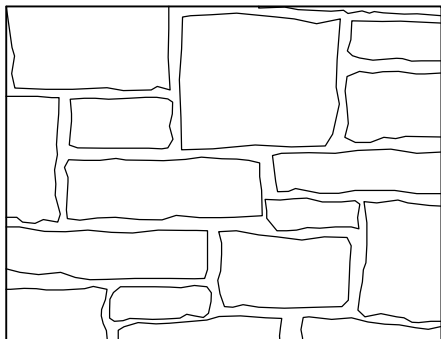
COURSED ASHLAR PATTERN, IN COLORS OF PINK, BUFF, CREAM, GREY AND BLENDING VARIATIONS WITH HEIGHT RANGES OF: 15% 2 1/6" AND 33% 4 5/6" AND 52% 7 1/2". STANDARD JOINT SIZE 1/2".

3-HEIGHT COURSED ASHLAR - SAWN BEDS (MINNESOTA PLAINS)



SHALL BE LAID IN RANDOM FIELD STONE PATTERN. MORTAR JOINTS SHALL BE ALLOWED TO VARY FROM 1/2" TO 1 1/2". STONE SHALL BE FURNISHED TO THE JOB IN SIZES RANGING UP TO 12 SQUARE FEET. STANDARD JOINT SIZE 3/8" TO 1 1/2".

MINNESOTA QUARRY CREEK RANDOM FIELD STONE



RANDOM ASHLAR PATTERN, IN COLORS OF PINK, BUFF, CREAM, GREY AND BLENDING VARIATIONS WITH HEIGHT RANGES OF: 20% 1 1/2"-3" AND 50% 3"-6" AND 30% 6"-9". STANDARD JOINT SIZE 3/8" TO 1 1/2".

3-HEIGHT VEINE RANDOM ASHLAR - SPLIT BEDS (MINNESOTA SPRING)



V E T T E R S T O N E

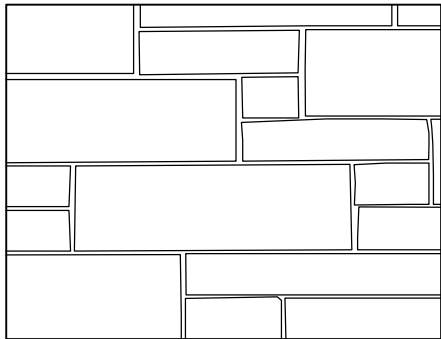
SHEET DESCRIPTION:
**WALL FACING
 SPLITFACE VENEER PATTERNS**

SCALE: N.T.S

SHEET #:

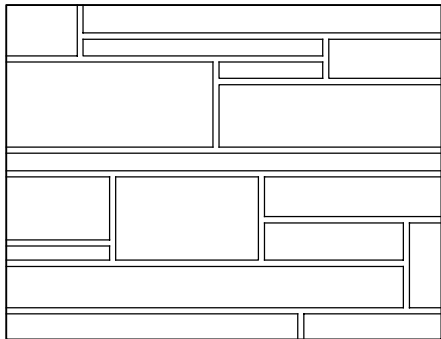
3.2

REV. 02.28.24



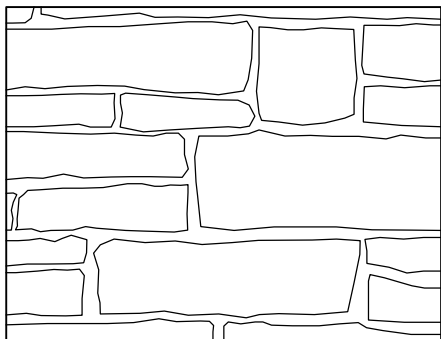
RANDOM ASHLAR PATTERN, IN COLORS OF PINK, BUFF, CREAM, GREY AND BLENDING VARIATIONS WITH HEIGHT RANGES OF: 40% 3 1/2" AND 60% 7 1/2", WITH COMBINATION OF SPLIT AND SAWED ENDS. STANDARD JOINT SIZE 1/2".

2-HEIGHT RANDOM ASHLAR - SAWN BEDS (NORTHERN HILLS)



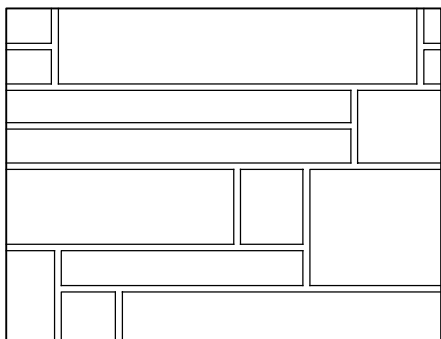
RANDOM ASHLAR PATTERN, IN COLORS OF PINK, BUFF, CREAM, GREY AND BLENDING VARIATIONS WITH HEIGHT RANGES OF: 10% 7/8" AND 35% 2 1/6" AND 35% 3 1/2" AND 20% 4 5/6". STANDARD JOINT SIZE 1/2".

4-HEIGHT RANDOM ASHLAR - SAWN BEDS (MINNESOTA RANCH)



RANDOM ASHLAR PATTERN, WITH HEIGHT RANGES OF: 20% 1 1/2"-3" AND 50% 3"-6" AND 30% 6"-9". STANDARD JOINT SIZE 3/8" TO 1 1/2".

CEDAR CREEK RANDOM ASHLAR



RANDOM ASHLAR SPLIT FACE STONE WITH HEIGHT RANGES OF: 15% 2 1/6" AND 50% 4 5/6" AND 35% 7 1/2". STANDARD JOINT SIZE 1/2".

ROCKWOOD VALLEY STONE



V E T T E R S T O N E

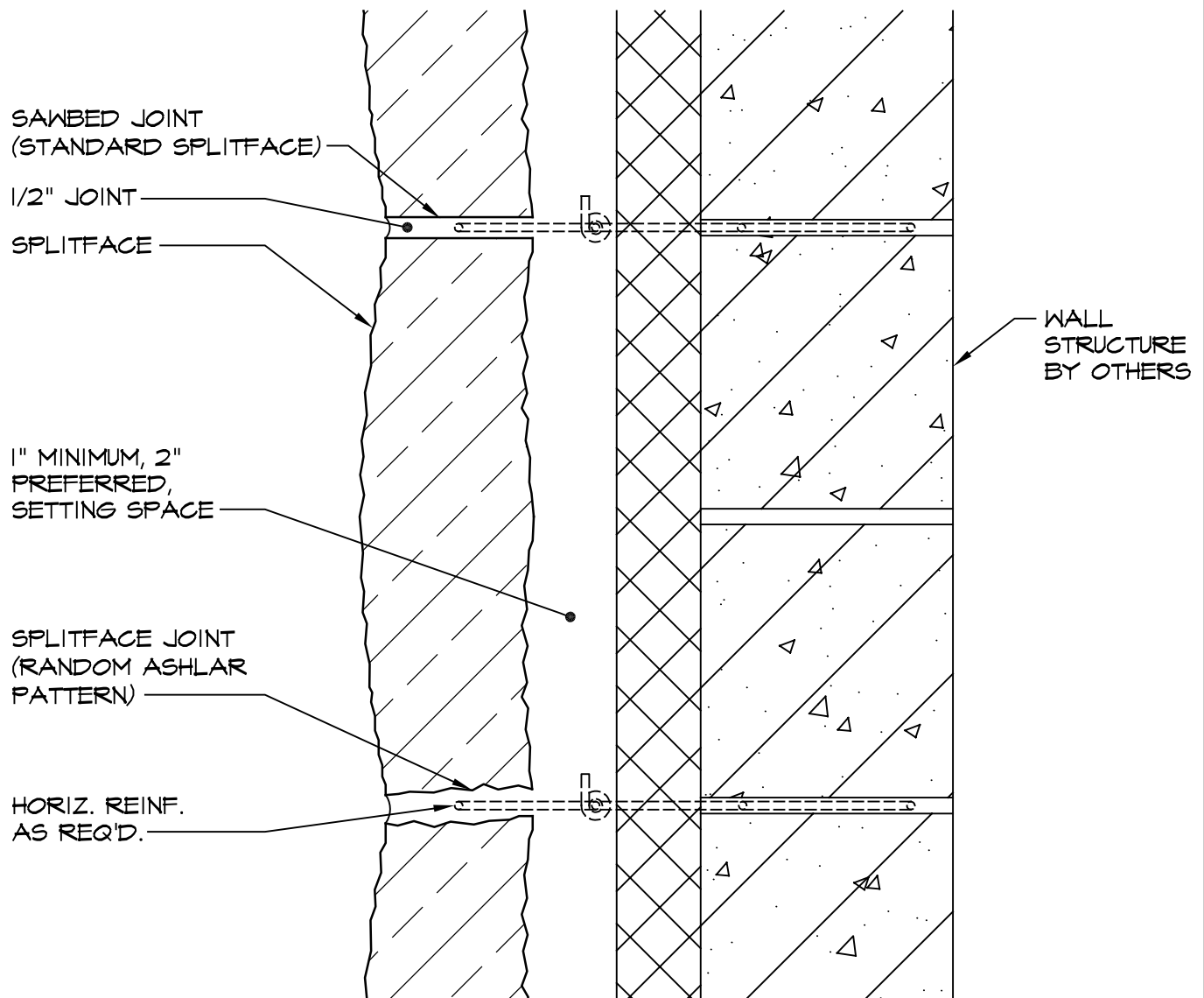
**SHEET DESCRIPTION:
WALL FACING
SPLITFACE VENEER PATTERNS**

SCALE: N.T.S

SHEET #:

3.3

REV. 02.28.24



MASONRY ANCHORS SHOULD BE USED AND PLACED IN THE MORTAR JOINTS AND SECURED TO THE BACK-UP MATERIAL. THESE SHOULD BE NON-CORROSIVE ANCHORS AND PLACED ABOUT 16" ON CENTER.

LIMESTONE SPLITFACE NEEDS ONLY TO BE SPLIT TO LENGTH TO FIT INTO AN ATTRACTIVE PATTERN AS PIECES ARE SHIPPED IN RANDOM LENGTHS UP TO APPROXIMATELY 4'-0". SPLITTING TO LENGTH CAN BE DONE WITH A HYDRAULIC GUILLOTINE SPLITTER. OCCASIONALLY SOME PIECES SHOULD BE HAND PITCHED OR TRIMMED FOR A BETTER APPEARANCE USING A CARBIDE TIPPED TOOL.

USE TYPE 'N' MORTAR FOR SETTING IN PROPORTIONS OF 1 PART MORTAR TO 3 PARTS WASHED SAND. MIX THE MORTAR QUITE STIFF SO MOISTURE DOES NOT RUN DOWN ON THE FACE OF THE SPLITFACE OR JOINTS. JOINTS CAN BE STRUCK SMOOTH OR ROUGH. SMOOTH JOINTS ARE BETTER FOR PREVENTING MOISTURE PENETRATION IN THE JOINTS. IF THE JOINTS ARE RAKED BACK SLIGHTLY FROM THE FACE OF THE SPLITFACE STONE, THE MORTAR WILL BE LESS VISIBLE DUE TO THE SHADOWS.

*SEE SHEET 3.5 FOR LAYING INSTRUCTIONS FOR RANDOM ASHLAR PATTERN.
SEE SHEET 3.6 FOR LAYING INSTRUCTIONS FOR COURSED PATTERN SPLITFACE.*

INSTALLATION GUIDELINES FOR SPLITFACE STONE



V E T T E R S T O N E

**SHEET DESCRIPTION:
WALL FACING**

SCALE: 3" = 1'-0"

SHEET #:

3.4

REV. 07.27.12

TO ACHIEVE THE MOST NATURAL EFFECT WITH THIS STONE AND TO OBTAIN AN EASY LAYING JOB, THE FOLLOWING POINTS ARE VERY IMPORTANT:

3-HEIGHT FLEURI RANDOM ASHLAR - SPLIT BEDS (NORTHERN FOREST), 3-HEIGHT VEINE RANDOM ASHLAR - SPLIT BEDS (MINNESOTA SPRING), AND QUARRY CREEK HAVE SAWED BACKS ALL OTHERS ARE SPLIT FRONT AND BACK

BE SURE THAT THE SAWED SURFACE IS ALWAYS TO THE BACK. THIS WILL ALWAYS PUT THE NATURAL BED FACE OR SPLITFACE TO THE FACE OF THE WALL.

DO NOT USE THE SAWED SURFACE FOR THE TOP OR BOTTOM BED. THIS STONE SHOULD ALWAYS BE LAID WITH THE SAWED SURFACE TO THE BACK OF THE WALL.

LET THE JOINTS VARY FROM 1/2" TO 1-1/2"

THIS NOT ONLY GIVES THE DESIRED NATURAL EFFECT, BUT RESULTS IN EASE OF LAYING.

KEEP TRIMMING OF THE STONE TO AN ABSOLUTE MINIMUM

SOMEWHAT ROUGH OR IRREGULAR ENDS ARE NOT ONLY SATISFACTORY BUT DESIRABLE. THE NATURAL FEEL IS BETTER SERVED BY SOME IRREGULARITY OF THE ENDS.

KEEP ALL STONES HORIZONTAL AND KEEP ALL MORTAR JOINTS FULL

ALL STONE SHALL BE LAID HORIZONTAL AND NOT SLOPING UP OR DOWN.

CARE SHOULD BE TAKEN TO BE SURE THAT THE BED JOINTS AND HEAD JOINTS ARE FULL.

USE THE STONE WITH PROJECTIONS AND RECESSIONS

THIS STONE VARIES FROM 2-1/2" TO 5-1/2" IN THICKNESS. THE 2-1/2" STONES WILL PROVIDE 1-1/2" RECESSIONS FROM A NORMAL WALL FACE OF 4". THE THICKER STONES OF 5-1/2" WILL PROVIDE 1-1/2" PROJECTIONS. DO NOT TRY TO ACHIEVE A WALL WITH A FLAT FACE.

FOLLOWING THE ABOVE POINTS WILL RESULT IN AN EXCELLENT WALL OF THE DESIRED APPEARANCE, BUT IT WILL BE A RELATIVELY FAST, EASILY LAID WALL.

LAYING INSTRUCTIONS FOR RANDOM ASHLAR PATTERN



V E T T E R S T O N E

SHEET DESCRIPTION:
WALL FACING

SCALE: 3" = 1'-0"

SHEET #:

3.5

REV. 02.28.24

SINGLE HEIGHT COURSED ASHLAR - SAWN BEDS (NORTHERN VALLEY) STONE AND THE STANDARD SPECIFICATIONS FOR LAYING IT HAVE BEEN DESIGNED FOR MAXIMUM WALL PRODUCTION. THE BASIC WORK METHODS HAVE BEEN DESIGNED TO BE SIMILAR TO THOSE USED IN LAYING CONCRETE BLOCK. ALTHOUGH THE USE OF RANDOM LENGTHS REQUIRES SPLITTING TO ADJUST FOR WALL LENGTHS, THE SPLITFACE TEXTURE IS AN OFFSETTING FACTOR.

KEY POINTS TO BE CONSIDERED ARE THE FOLLOWING:

3-HEIGHT FLEURI RANDOM ASHLAR - SPLIT BEDS (NORTHERN FOREST), 3-HEIGHT VEINE RANDOM ASHLAR - SPLIT BEDS (MINNESOTA SPRING) AND QUARRY CREEK HAVE SAWED BACKS ALL OTHERS ARE SPLIT FRONT AND BACK

BE SURE THAT THE SAWED SURFACE IS ALWAYS TO THE BACK. THIS WILL ALWAYS PUT THE NATURAL BED FACE TO THE FACE OF THE WALL.

DO NOT USE THE SAWED SURFACE FOR THE TOP OR BOTTOM BED. THIS STONE IS EASIEST TO LAY BY ALWAYS PUTTING THE SAWED SURFACE TO THE BACK OF THE WALL.

SPLIT FACE

THE STONE CAN BE USED WITH SPLIT FACE AS FURNISHED. THE TOP AND BOTTOM BEDS ARE SAWED. SPLIT WITH A STRAIGHT BLADED SPLITTER, THIS STONE HAS STRAIGHT LINES TOP AND BOTTOM FOR EASIEST ALIGNMENT AND JOINT TOOLING.

SAWED ENDS

SINGLE HEIGHT COURSED ASHLAR - SAWN BEDS (NORTHERN VALLEY) STONE IS PREPARED WITH 50 TO 70% PRE-SAWED ENDS TO PROVIDE EASY STONE USE.

TRIMMING

HAND PITCHING OR ROCK FACING IS ELIMINATED BECAUSE IF A CONVEXITY OR CONCAVITY OCCURS AT THE END OF THE STONE, THIS CAN BE USED FOR WALL TEXTURE.

SPLIT ENDS

SPLIT ENDS MAY BE USED IN COMBINATION WITH SAWED ENDS FOR ADJUSTING TO WALL LENGTH. TOOTH TYPE MASONRY SPLITTERS MAY BE USED. INSTEAD OF SPLITTING THE STONE TOP TO BOTTOM WITH A STRAIGHT BLADED SPLITTER (WHICH PRODUCES CONVEX AND CONCAVE ENDS), A TOOTH TYPE SPLITTER SPLITS FRONT TO BACK BETWEEN THE SPLIT FACES TO ACHIEVE A STRAIGHT LINE CUT. THIS TYPE OF END DOES NOT NEED ADDITIONAL DRESSING BEFORE BEING PUT INTO THE WALL. USE OF A TOOTH TYPE SPLITTER IS ALSO FASTER THAN USE OF A SAW. CORNERS ARE PRODUCED EASILY. BY TAKING STONES WHICH ARE A UNIFORM THICKNESS TOP TO BOTTOM, TWO FULL-RETURN CORNER PIECES ARE PROVIDED WITH ONE SPLIT (PRODUCING 16" OF CORNER VERTICAL HEIGHT).

SETTING AND JOINT ELIMINATION

THE AVERAGE STONE LENGTH WILL RANGE FROM 2'-9" TO 3'-0" LONG. WITH A STONE WEIGHT OF 29.2 POUNDS PER LINEAL FOOT, THE AVERAGE PIECE WILL WEIGH FROM 78 TO 87 POUNDS. AT 3'-0" LONG, ONE STONE WILL BE EQUIVALENT TO 13-1/2" FACE BRICK 2-1/4" x 8" IN SIZE, ELIMINATING 72% OF THE MORTAR REQUIREMENT. BECAUSE OF THE WEIGHT, WE RECOMMEND A TWO MAN PLACEMENT SYSTEM, WITH A SEPARATE MAN HANDLING TROWEL AND MORTAR. IT SHOULD BE NOTED THAT STONE IS SOLID AND HAS NO MANUFACTURED HOLES TO USE UP MORTAR. THE THICKER CONSISTENCY OF STONE MORTAR HELPS TO INCREASE THE MORTAR SAVING, WHICH IS ESTIMATED AT APPROXIMATELY 72%.

CLEANING SAVINGS

BECAUSE A THICKER CONSISTENCY MORTAR IS USED WITH STONE AS COMPARED TO A BRICK WALL, CLEANING CAN BE VIRTUALLY ELIMINATED, FOR AN IMPORTANT SAVING IN CLEANING COST.

ALTHOUGH THE LAST TWO ITEMS PROVIDE SMALL SAVINGS, THE REALLY IMPORTANT SAVING IS THE TIME SPENT ON SPREADING AND TOOLING MORTAR TO YIELD A MUCH FASTER WALL PRODUCTION.

LAYING INSTRUCTIONS FOR COURSED PATTERN SPLITFACE



V E T T E R S T O N E

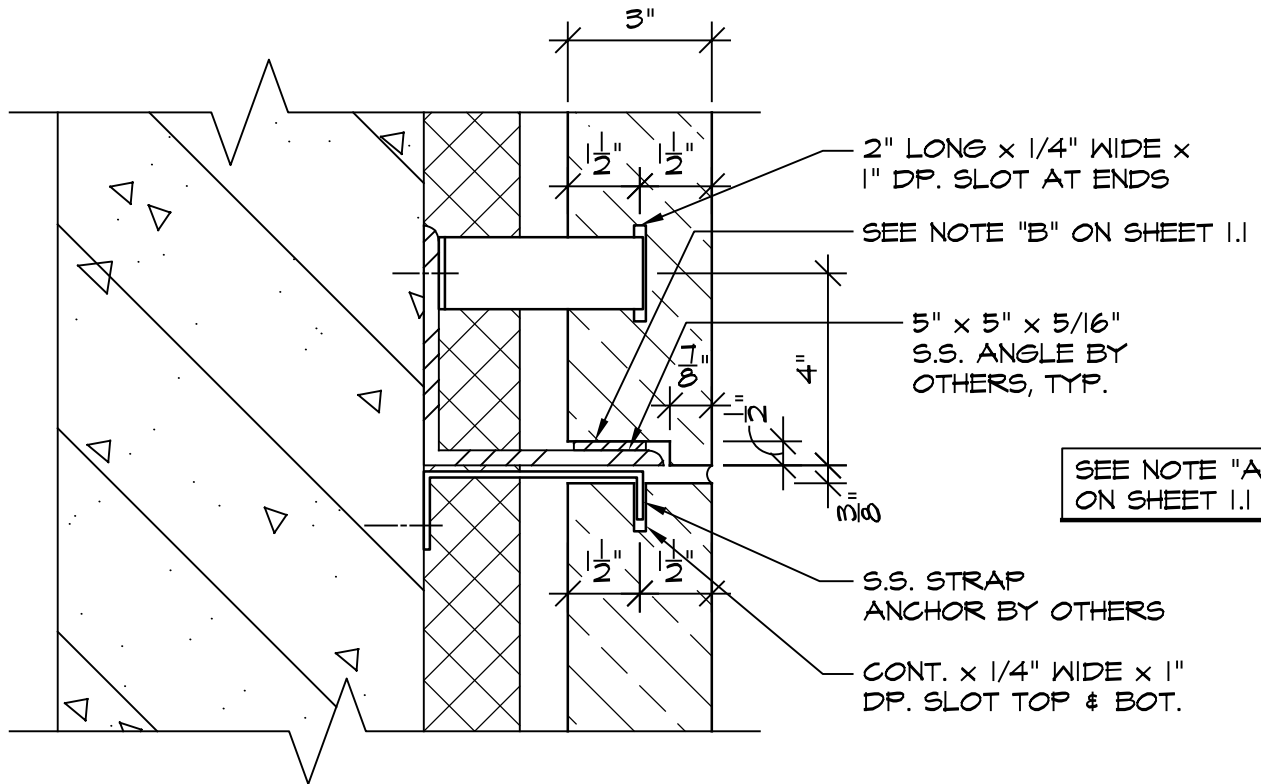
SHEET DESCRIPTION:
WALL FACING

SCALE: 3" = 1'-0"

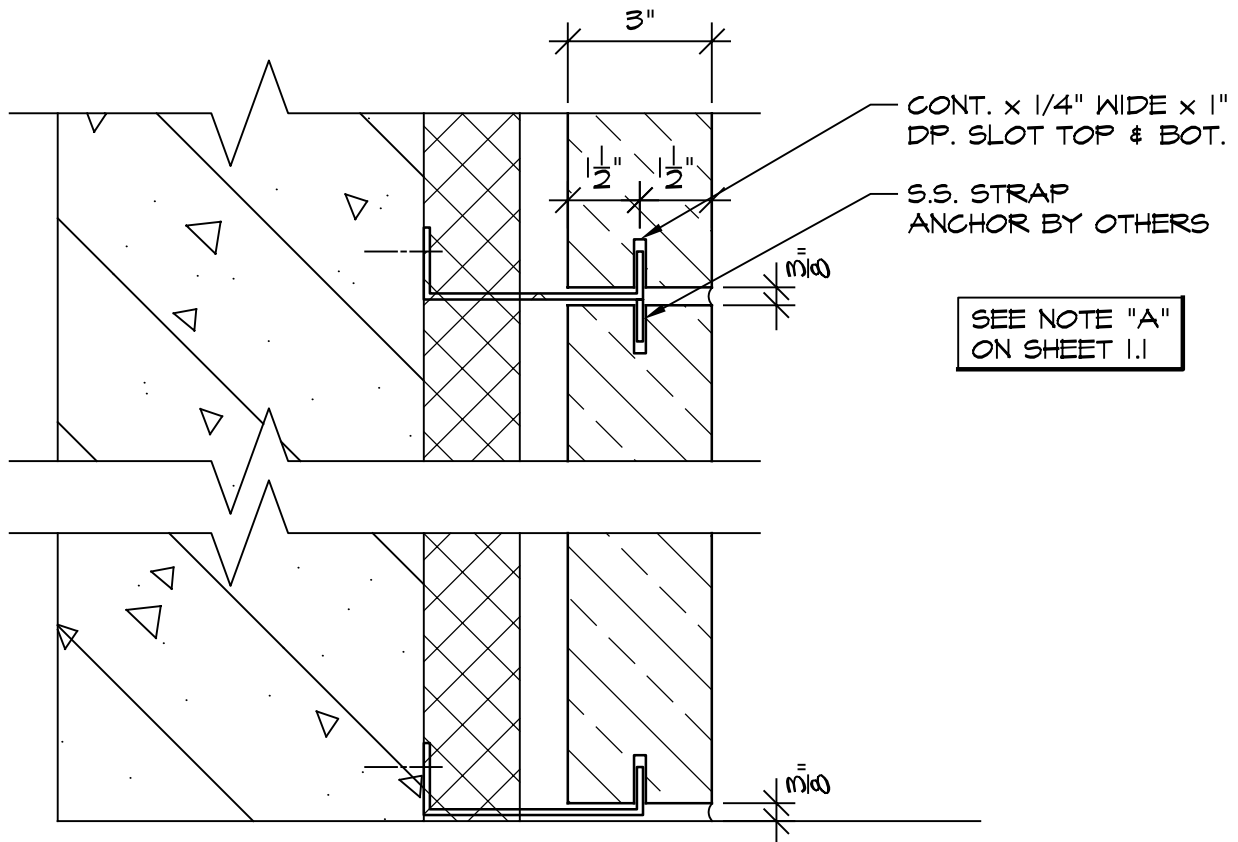
SHEET #:

3.6

REV. 02.28.24



RELIEVING ANGLE DETAIL AT CUTSTONE



STRAP ANCHOR DETAIL AT CUTSTONE



V E T T E R S T O N E

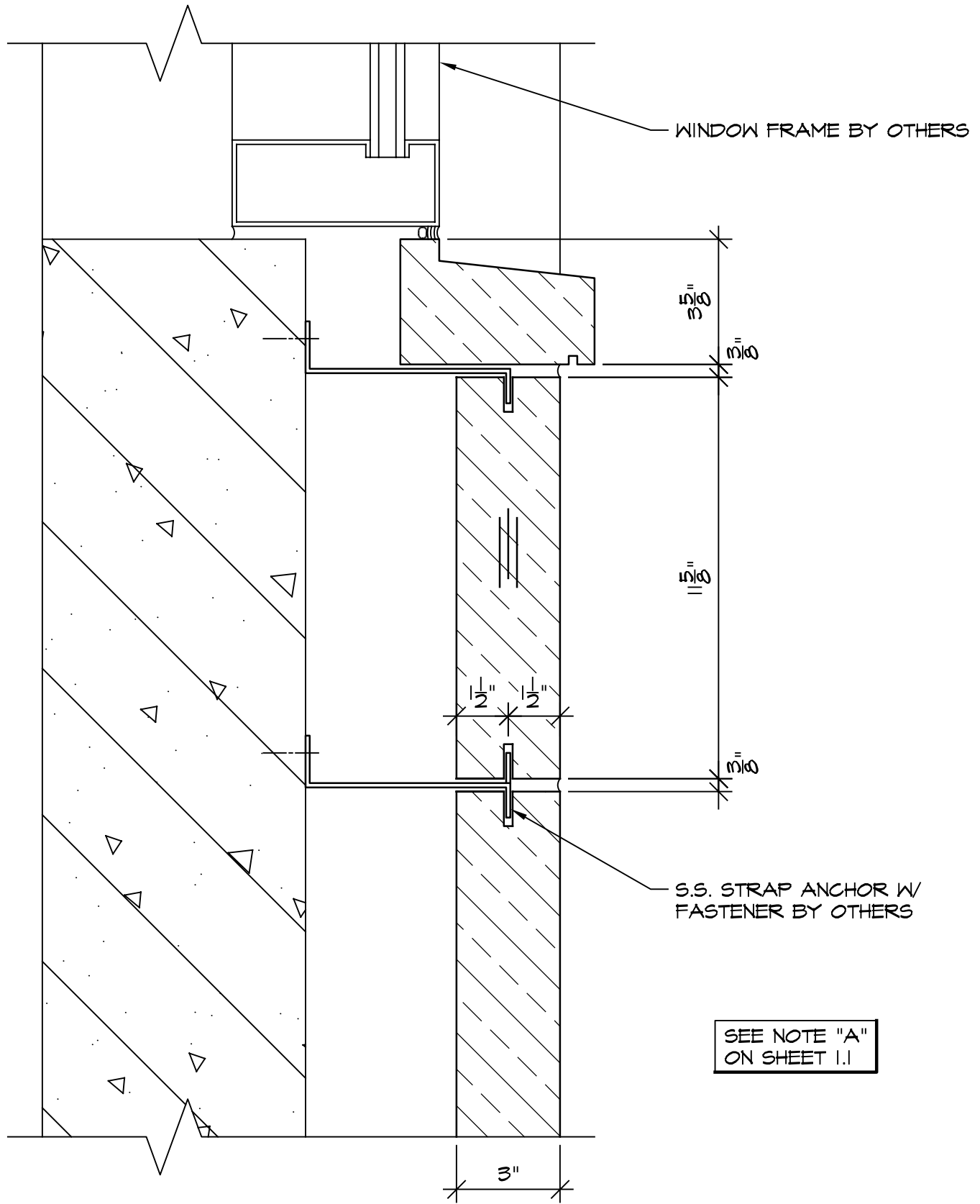
SHEET DESCRIPTION:
WALL FACING

SCALE: 3" = 1'-0"

SHEET #:

3.7

REV. 07.27.12



CUTSTONE PANEL AT WINDOW SILL



V E T T E R S T O N E

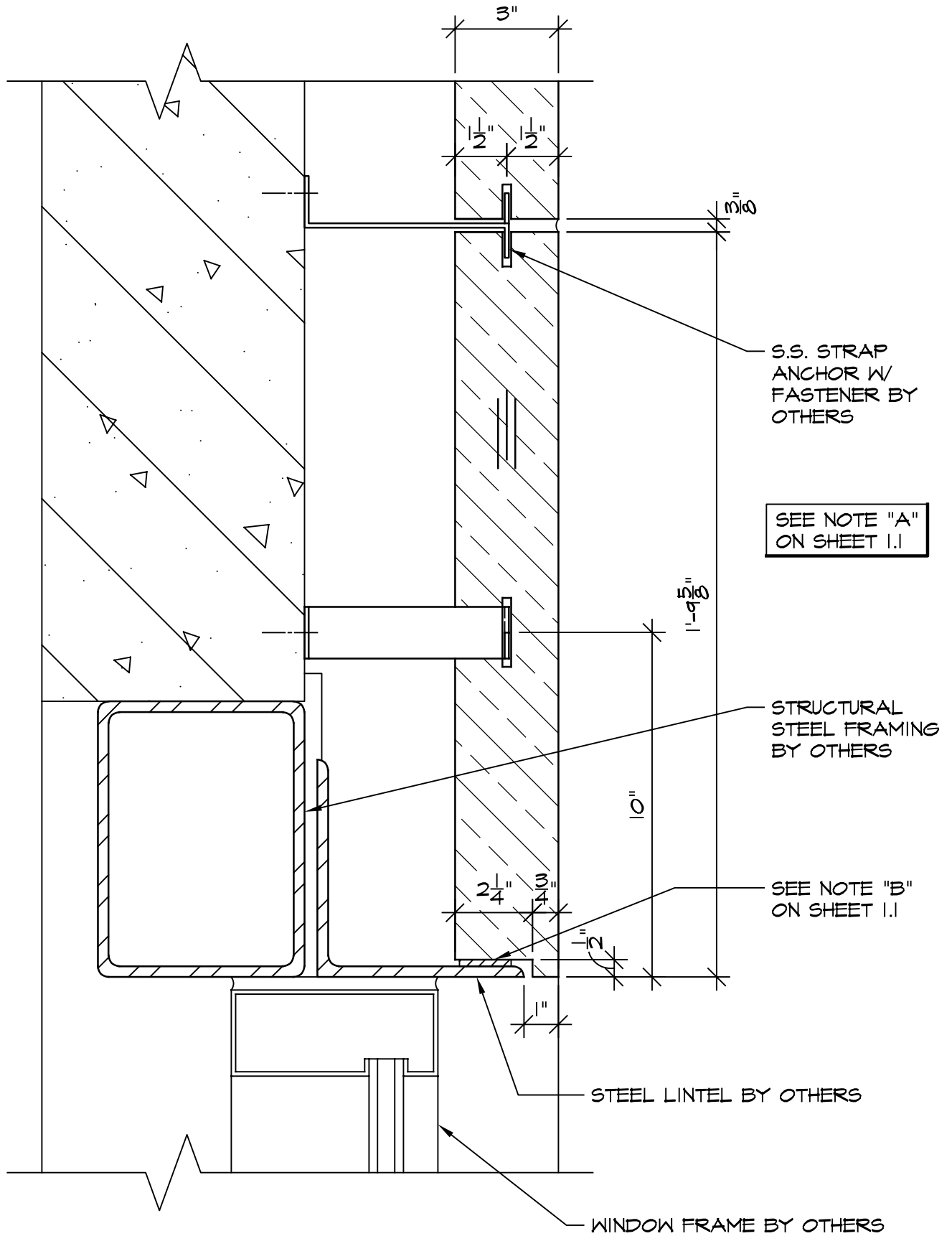
**SHEET DESCRIPTION:
WALL FACING**

SCALE: 3" = 1'-0"

SHEET #:

3.8

REV. 07.27.12



CUTSTONE PANEL AT WINDOW HEADER



V E T T E R S T O N E

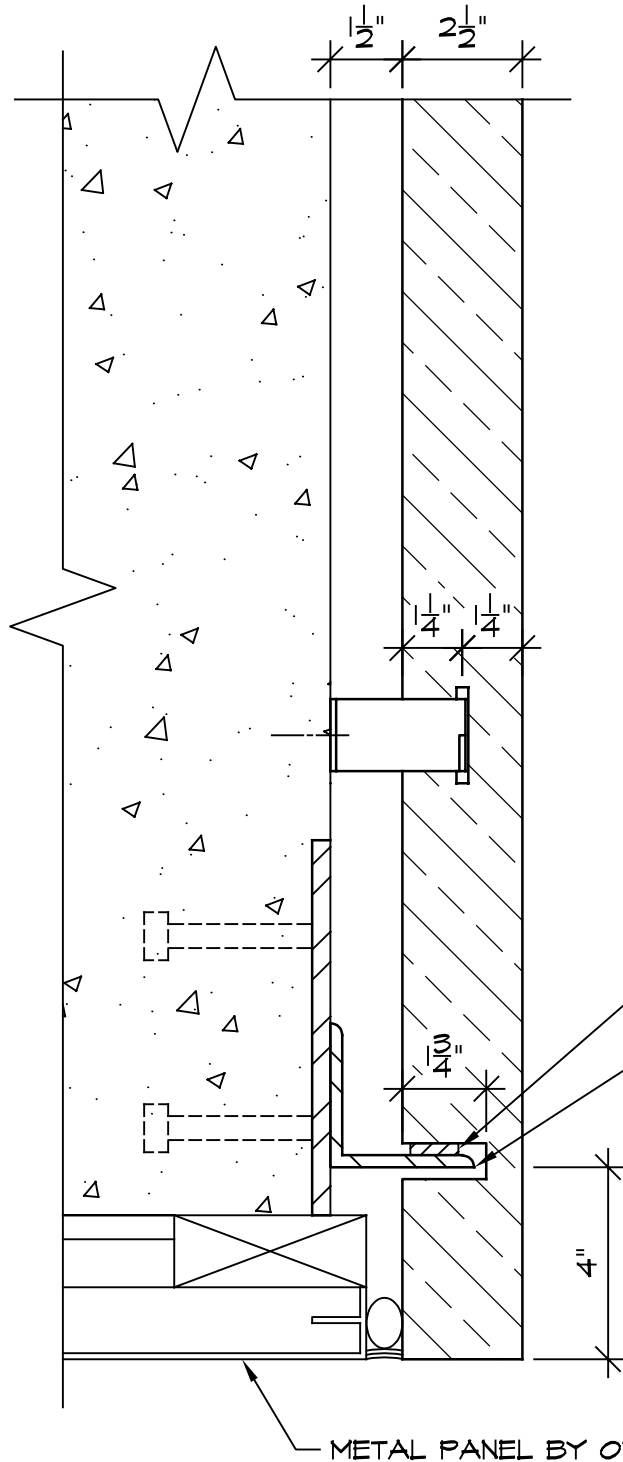
**SHEET DESCRIPTION:
WALL FACING**

SCALE: 3" = 1'-0"

SHEET #:

3.9

REV. 07.27.12



SEE NOTE "A"
ON SHEET I.I

SEE NOTE "B" ON SHEET I.I

8" CLIP ANGLE CENTERED
ON THE VERTICAL JOINTS
BY OTHERS

METAL PANEL BY OTHERS

CUTSTONE PANEL AT CLIP ANGLE



V E T T E R S T O N E

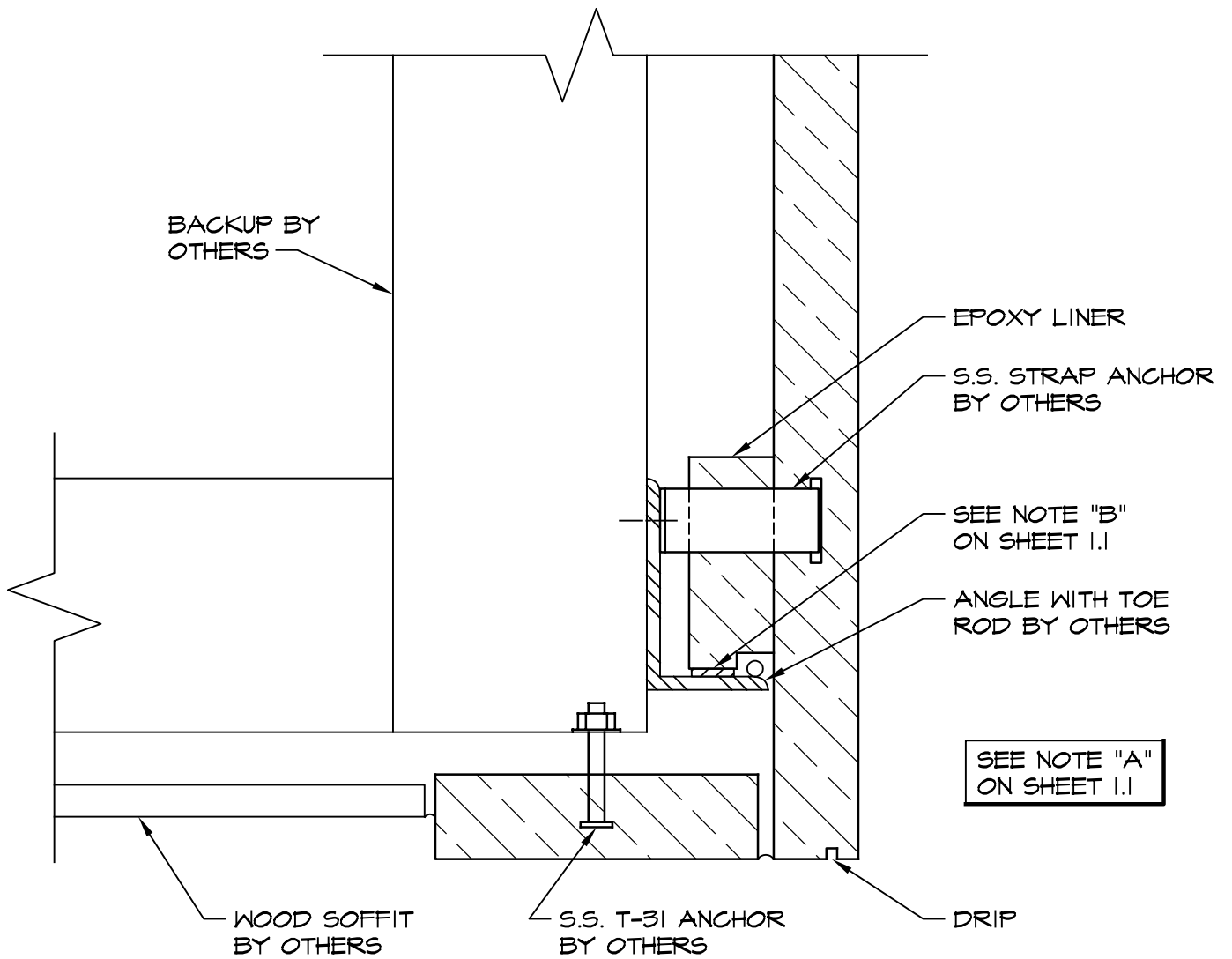
SHEET DESCRIPTION:
WALL FACING

SCALE: 3" = 1'-0"

SHEET #:

3.10

REV. 07.27.12



CUTSTONE PANEL WITH EPOXY LINER



V E T T E R S T O N E

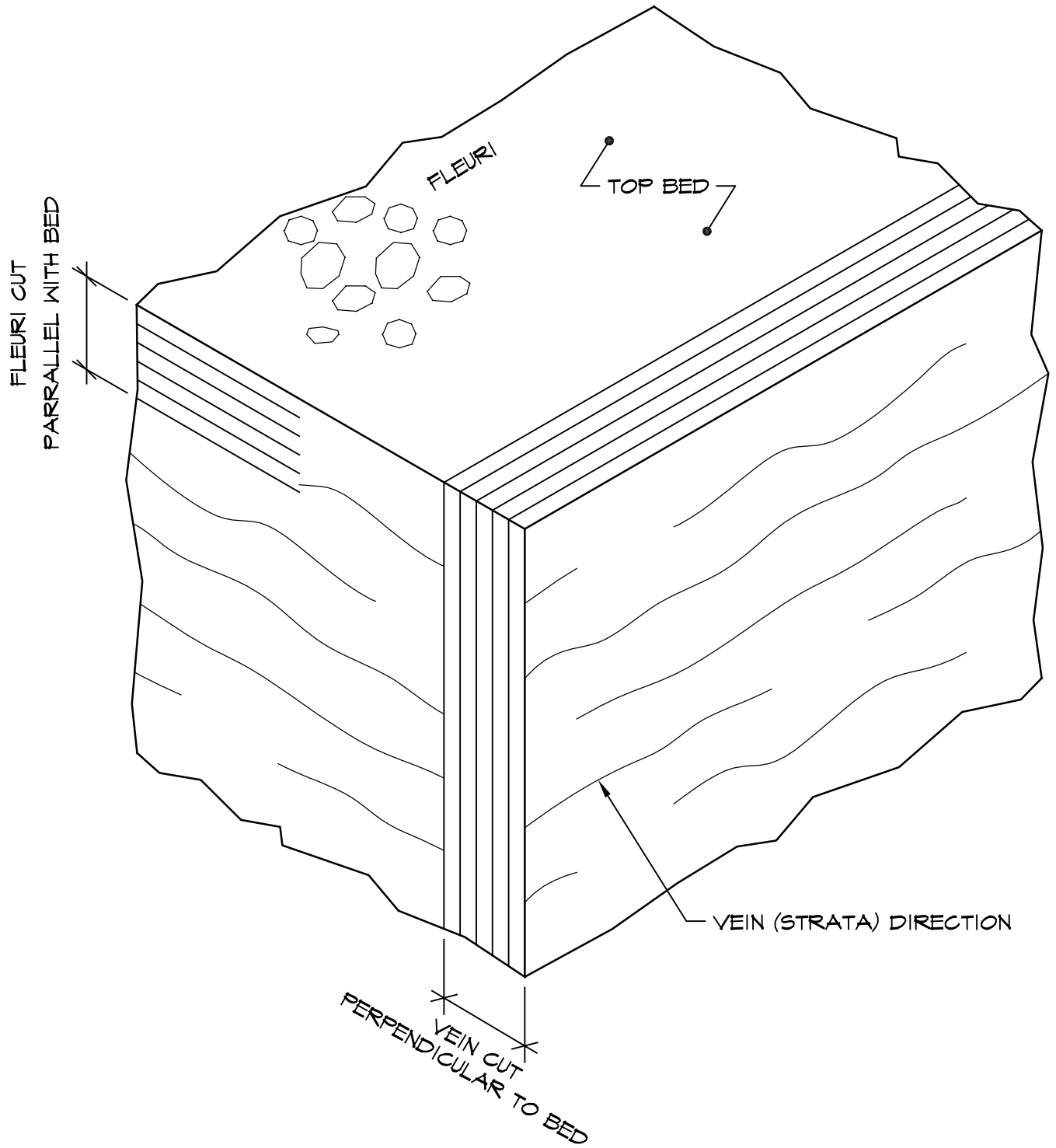
**SHEET DESCRIPTION:
WALL FACING**

SCALE: 3" = 1'-0"

SHEET #:

3.11

REV. 07.27.12



**SAWING AND POSITION OF BLOCK IN QUARRY
- LEVEL OF BEDS MAY VARY**



V E T T E R S T O N E

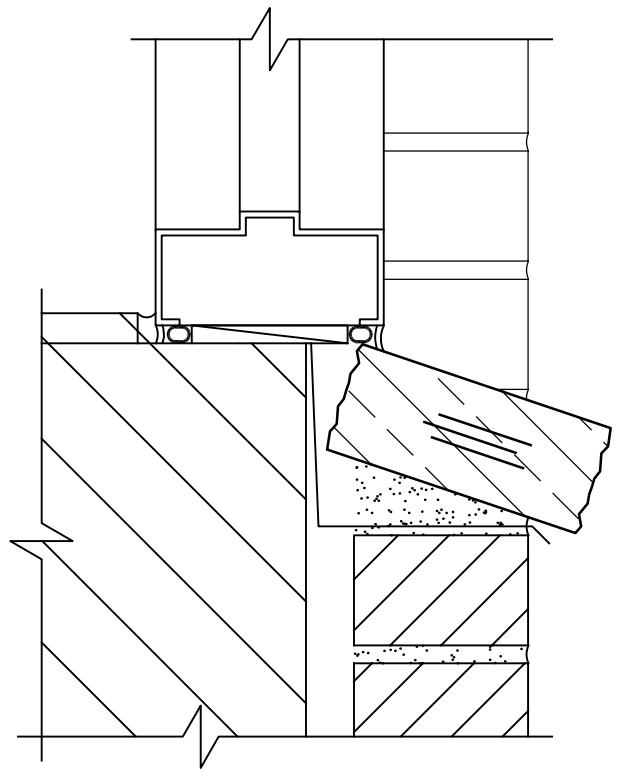
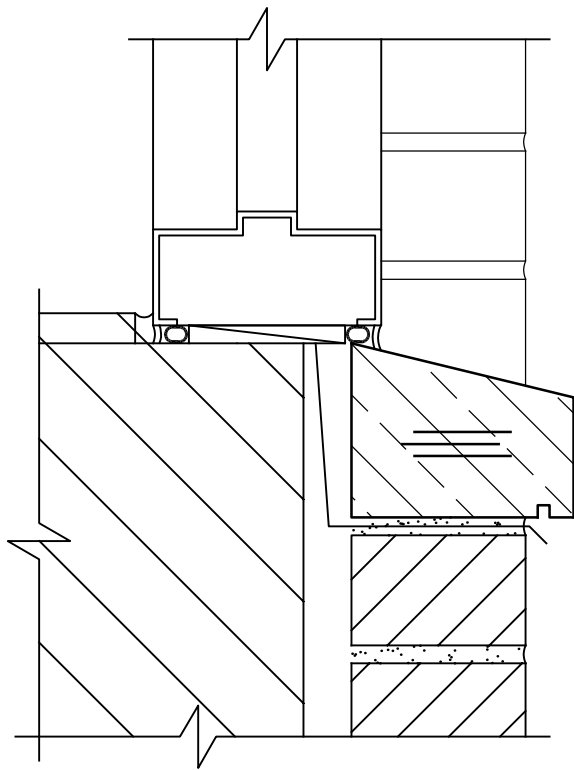
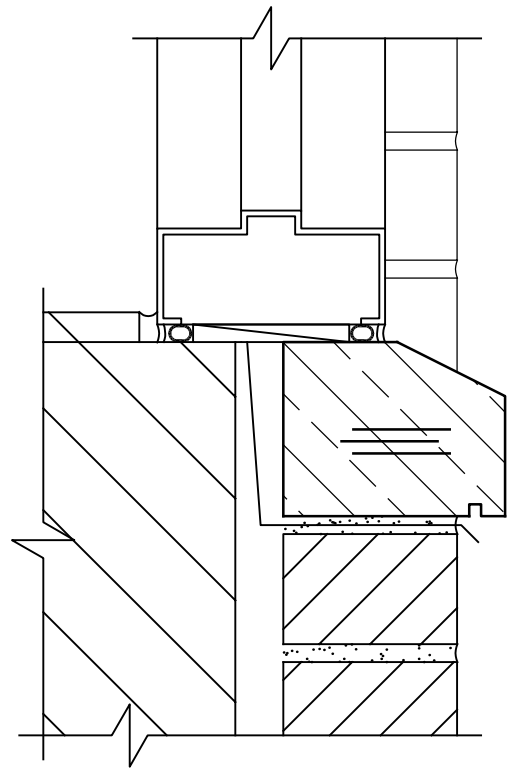
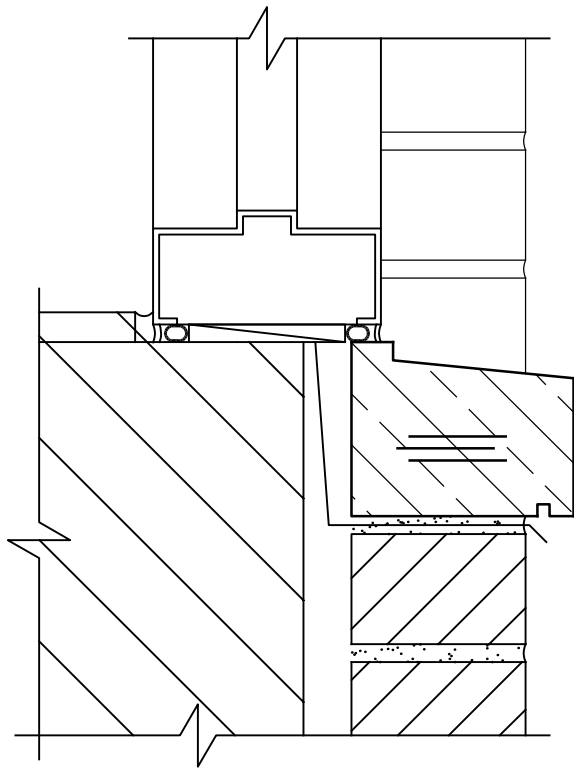
**SHEET DESCRIPTION:
WALL FACING**

SCALE: 6" = 1'-0"

SHEET #:

3.12

REV. 07.27.12



WINDOW SILLS



V E T T E R S T O N E

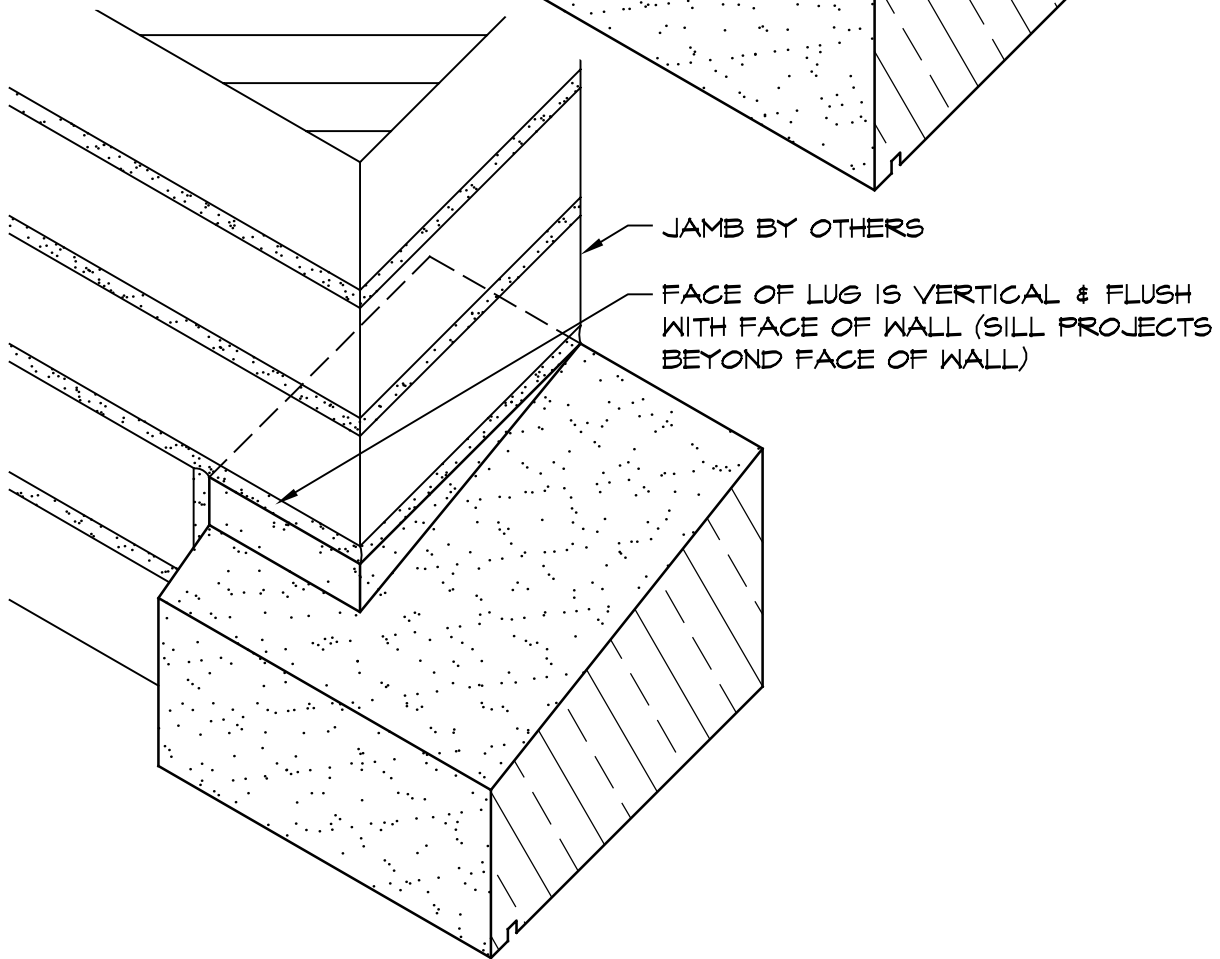
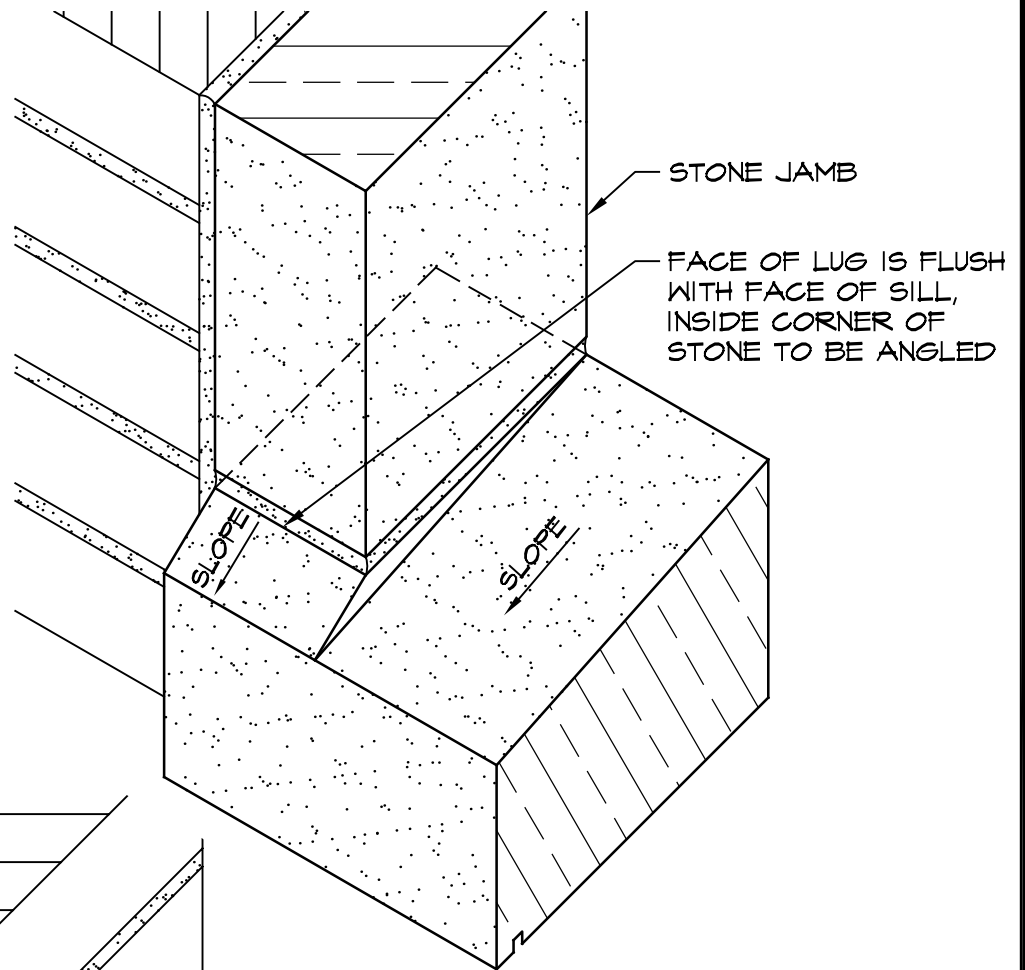
**SHEET DESCRIPTION:
SILLS, JAMB, HEADERS,
AND THRESHOLD DETAILS**

SCALE: 3" = 1'-0"

SHEET #:

4.1

REV. 07.27.12



WINDOW SILL LUGS / WINDOW JAMBS



V E T T E R S T O N E

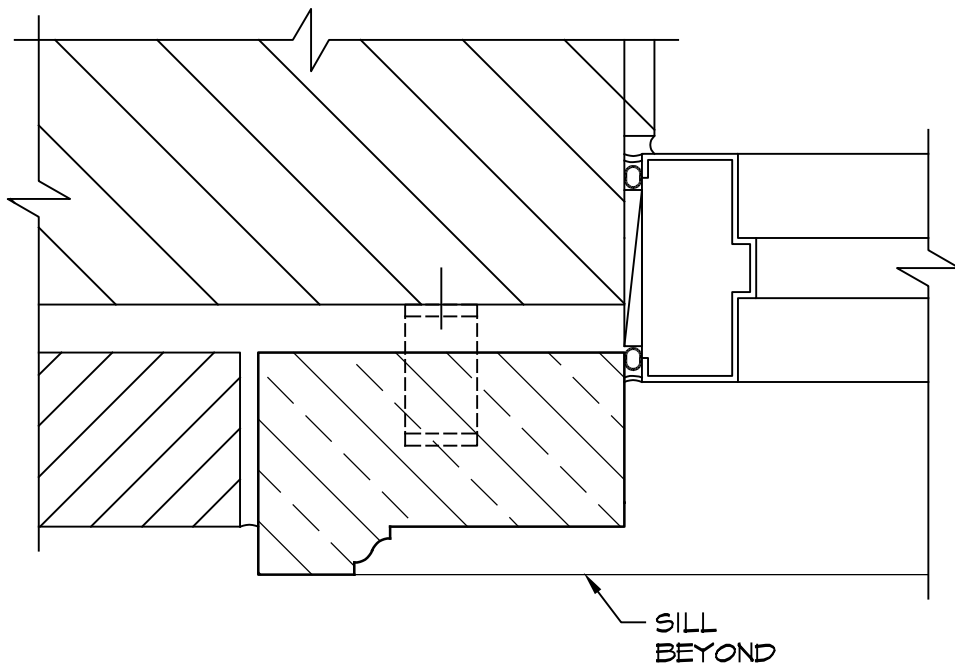
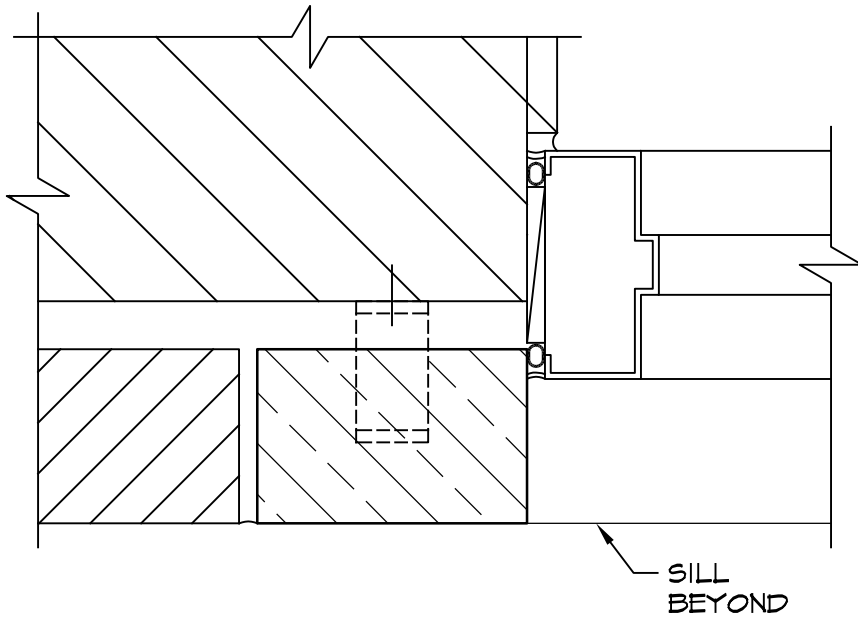
**SHEET DESCRIPTION:
SILLS, JAMB, HEADERS,
AND THRESHOLD DETAILS**

SCALE: 3" = 1'-0"

SHEET #:

4.2

REV. 07.27.12



JAMB DETAILS



V E T T E R S T O N E

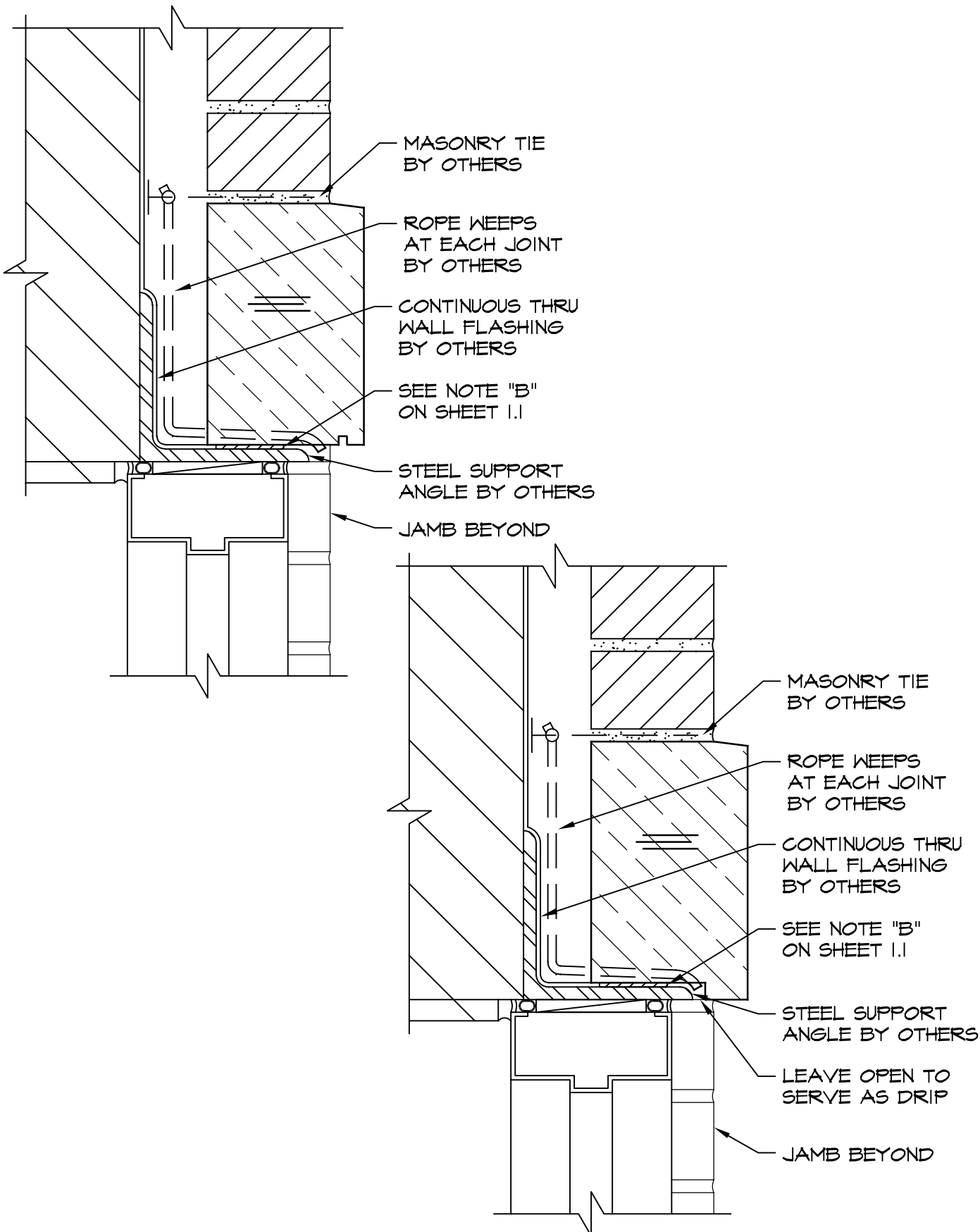
**SHEET DESCRIPTION:
SILLS, JAMB, HEADERS,
AND THRESHOLD DETAILS**

SCALE: 3" = 1'-0"

SHEET #:

4.3

REV. 07.27.12



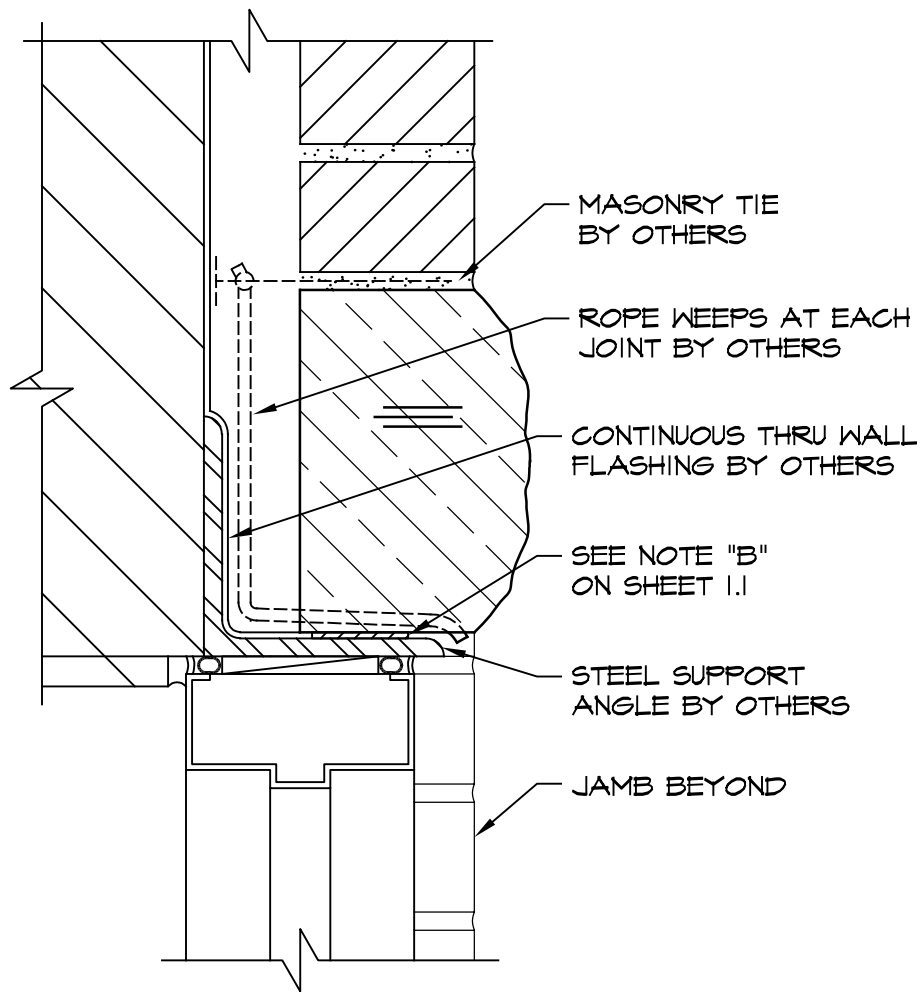
HEADER DETAILS



V E T T E R S T O N E

SHEET DESCRIPTION:
SILLS, JAMB, HEADERS,
AND THRESHOLD DETAILS
SCALE: 3" = 1'-0"

SHEET #:
4.4
 REV. 07.27.12



HEADER DETAILS



V E T T E R S T O N E

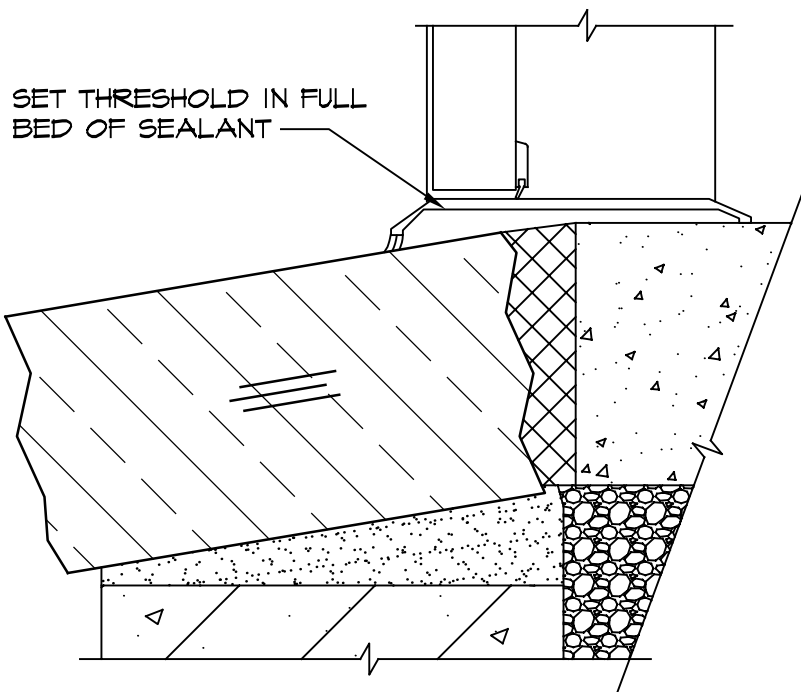
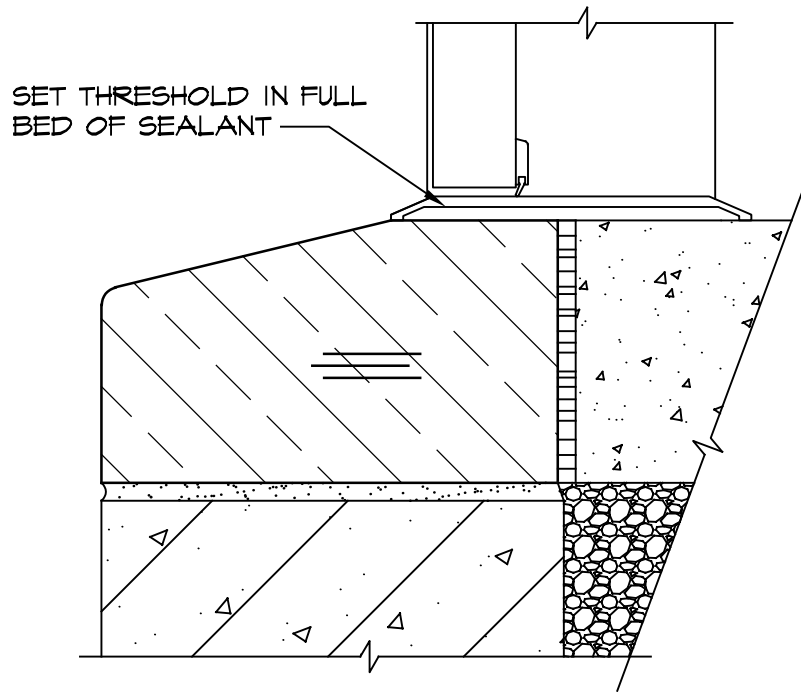
**SHEET DESCRIPTION:
SILLS, JAMB, HEADERS,
AND THRESHOLD DETAILS**

SCALE: 3" = 1'-0"

SHEET #:

4.5

REV. 07.27.12



DOOR THRESHOLDS



V E T T E R S T O N E

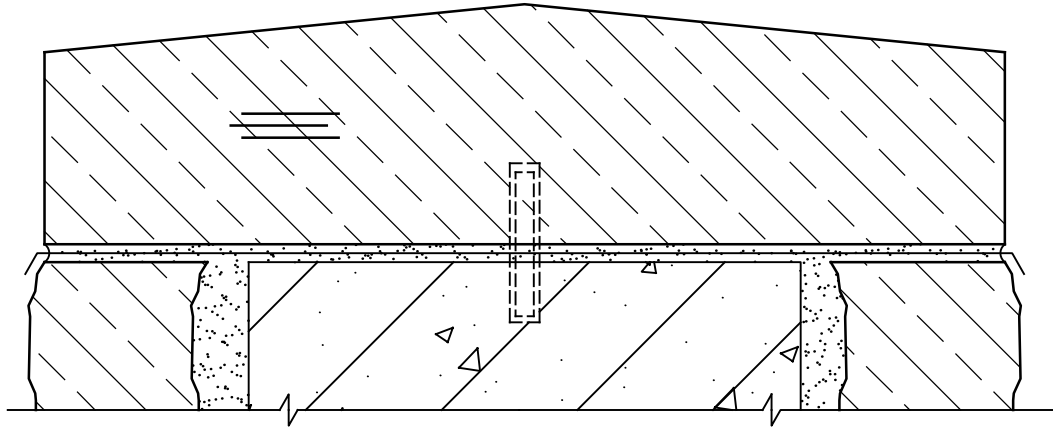
**SHEET DESCRIPTION:
SILLS, JAMB, HEADERS,
AND THRESHOLD DETAILS**

SCALE: 3" = 1'-0"

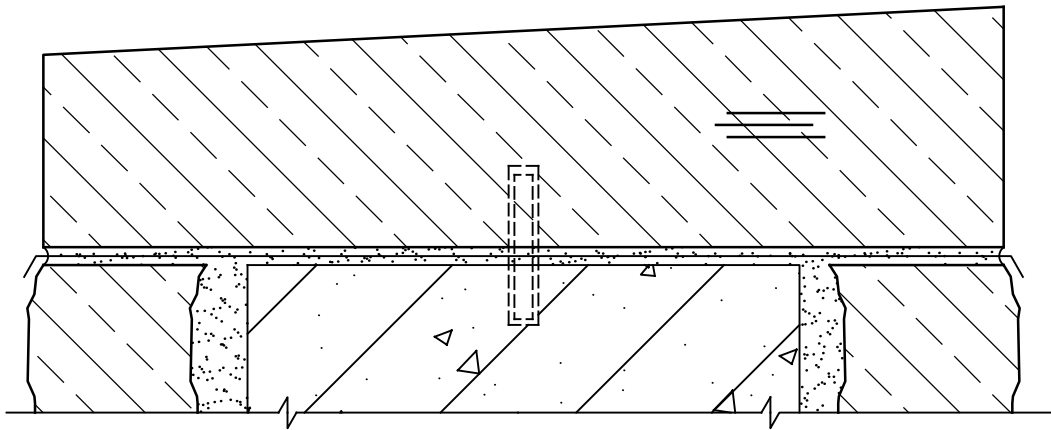
SHEET #:

4.6

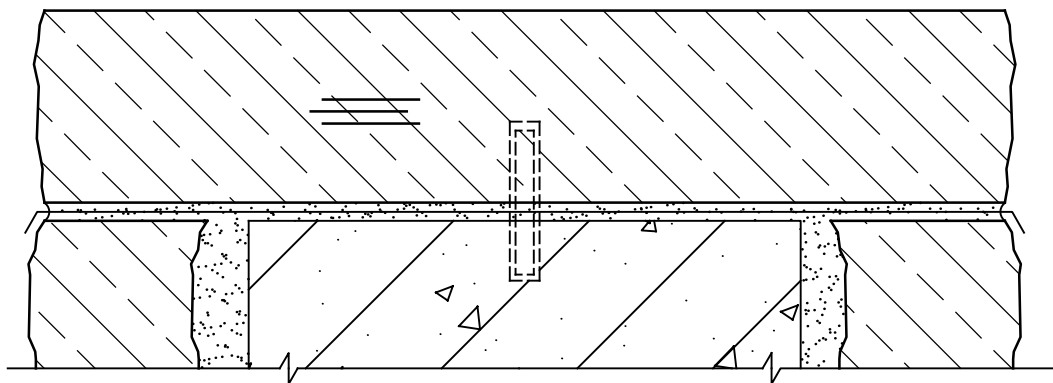
REV. 07.27.12



DOUBLE SLOPE



SINGLE SLOPE



FLAT



V E T T E R S T O N E

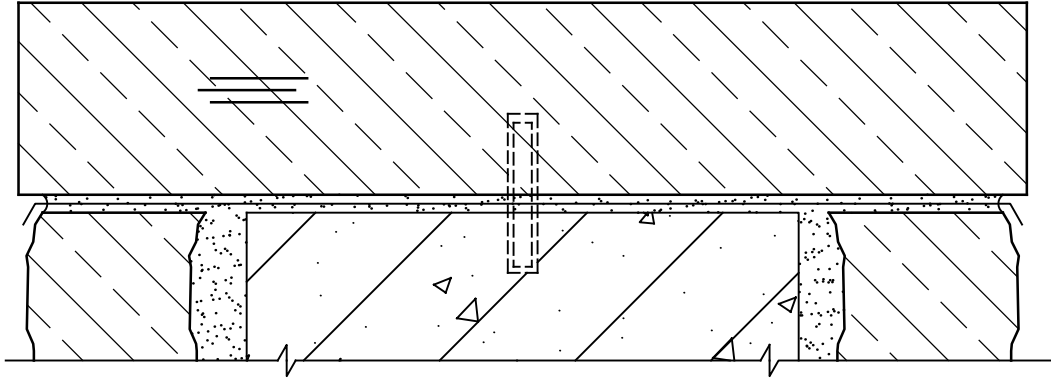
**SHEET DESCRIPTION:
CAP AND COPING DETAILS**

SCALE: 3" = 1'-0"

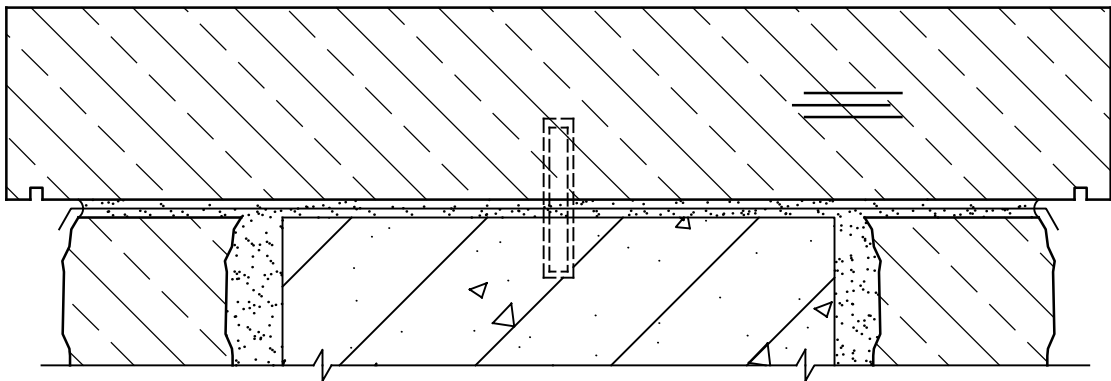
SHEET #:

5.1

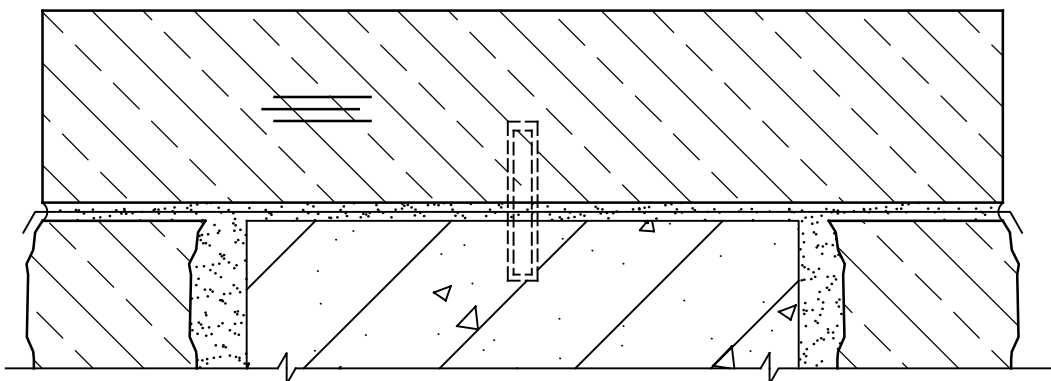
REV. 07.27.12



PARTIAL OVERHANG



DRIP (PREFERRED)



FLUSH



V E T T E R S T O N E

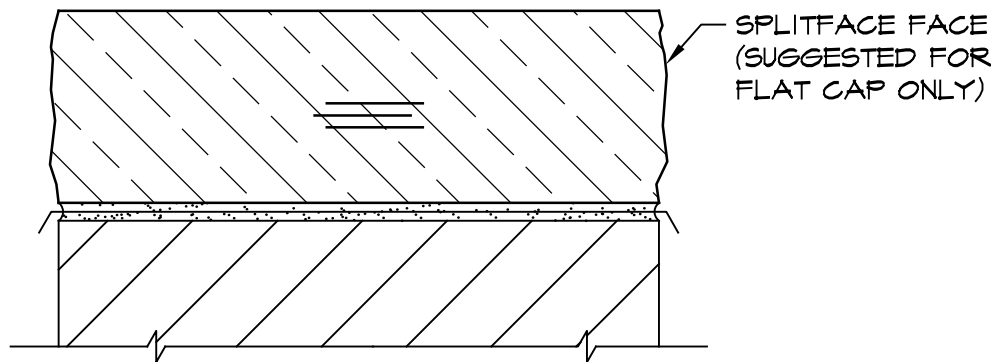
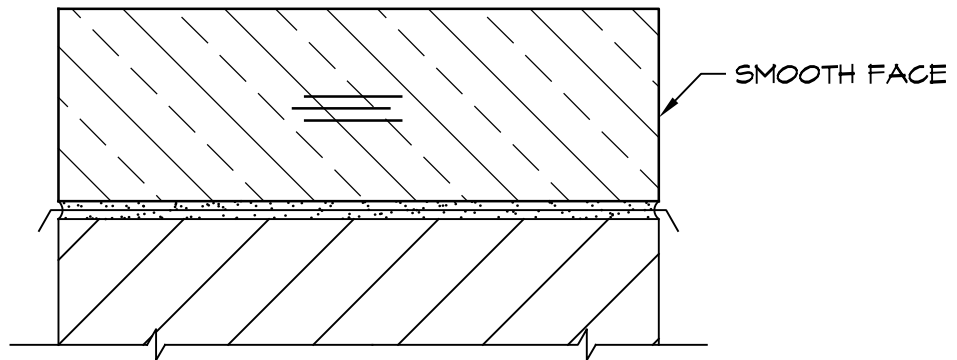
**SHEET DESCRIPTION:
CAP AND COPING DETAILS**

SCALE: 3" = 1'-0"

SHEET #:

5.2

REV. 07.27.12



V E T T E R S T O N E

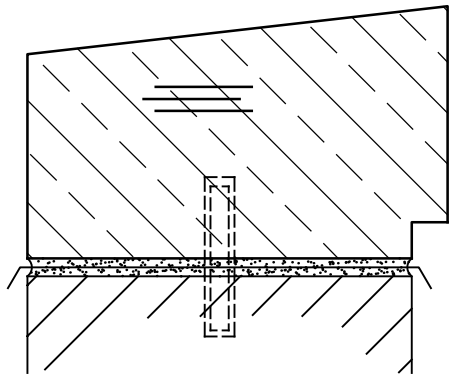
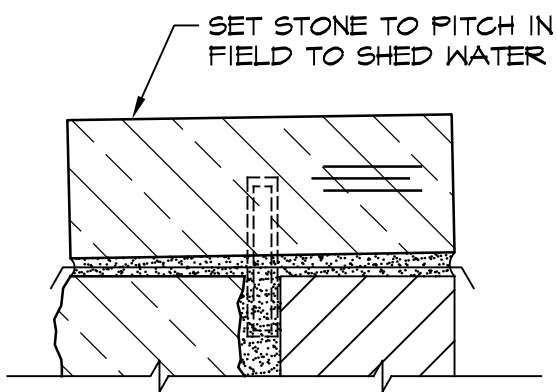
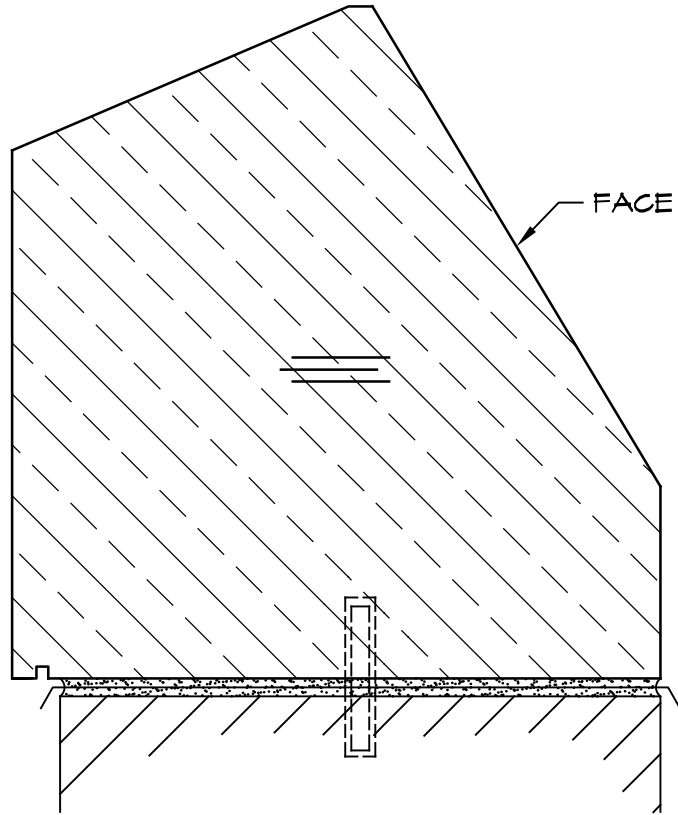
SHEET DESCRIPTION:
CAP AND COPING DETAILS

SCALE: 3" = 1'-0"

SHEET #:

5.3

REV. 07.27.12



V E T T E R S T O N E

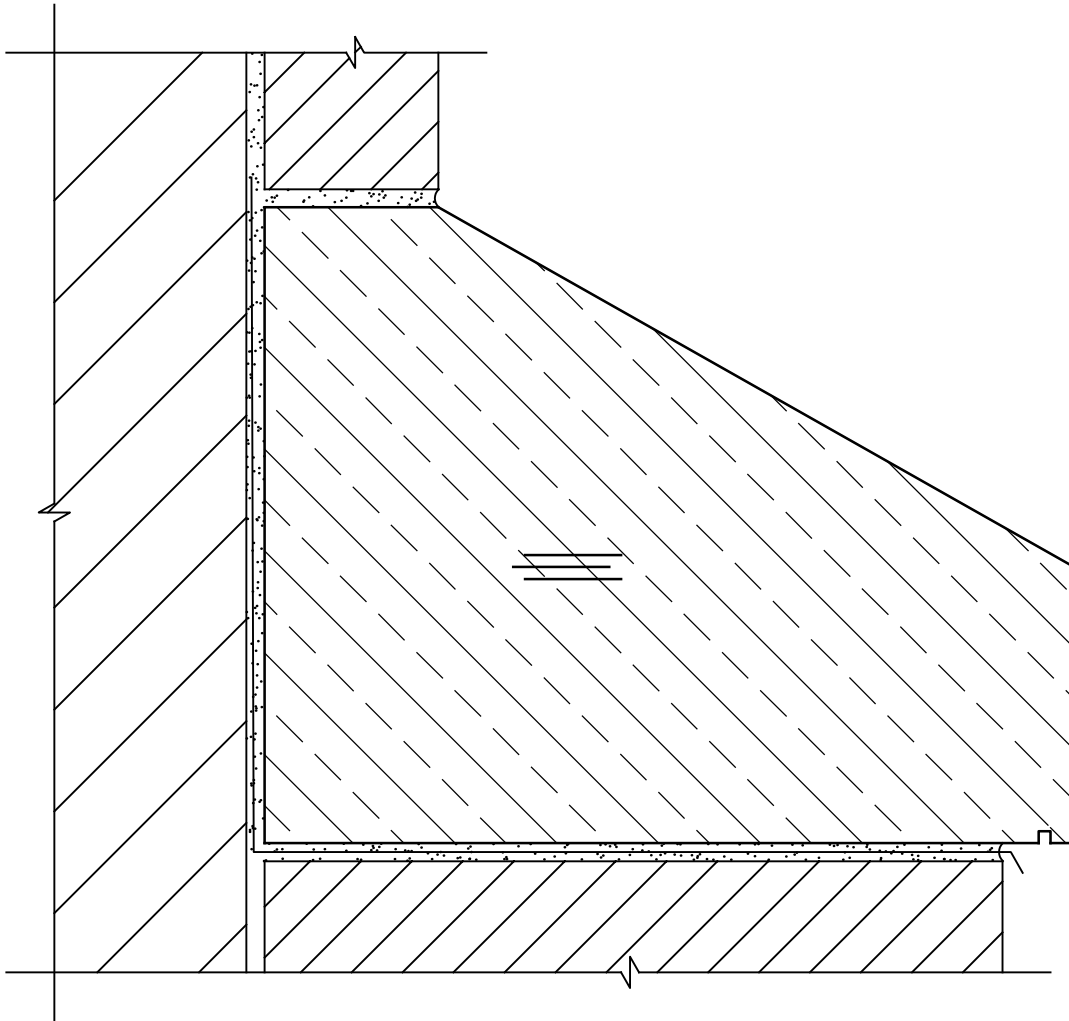
SHEET DESCRIPTION:
CAP AND COPING DETAILS

SCALE: 3" = 1'-0"

SHEET #:

5.4

REV. 07.27.12



V E T T E R S T O N E

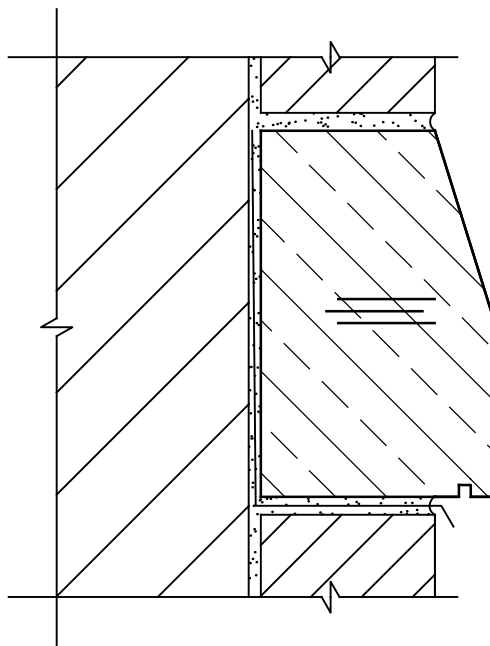
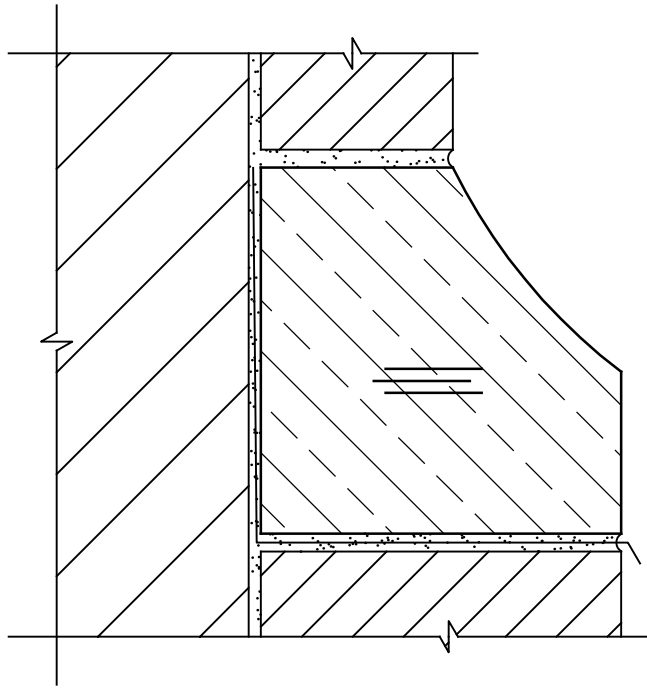
SHEET DESCRIPTION:
WATERTABLE AND BANDING

SCALE: 3" = 1'-0"

SHEET #:

6.1

REV. 07.27.12



V E T T E R S T O N E

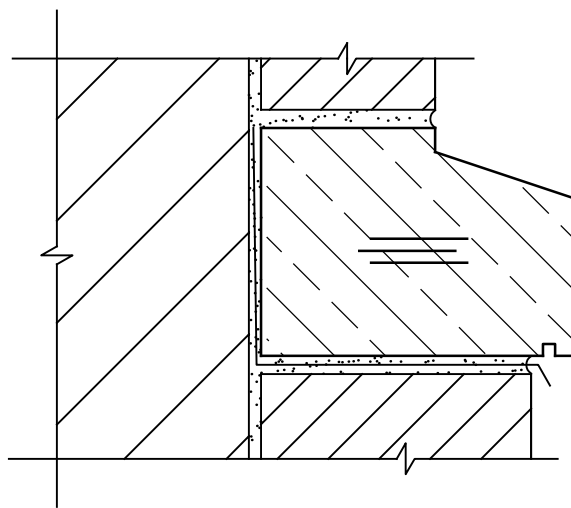
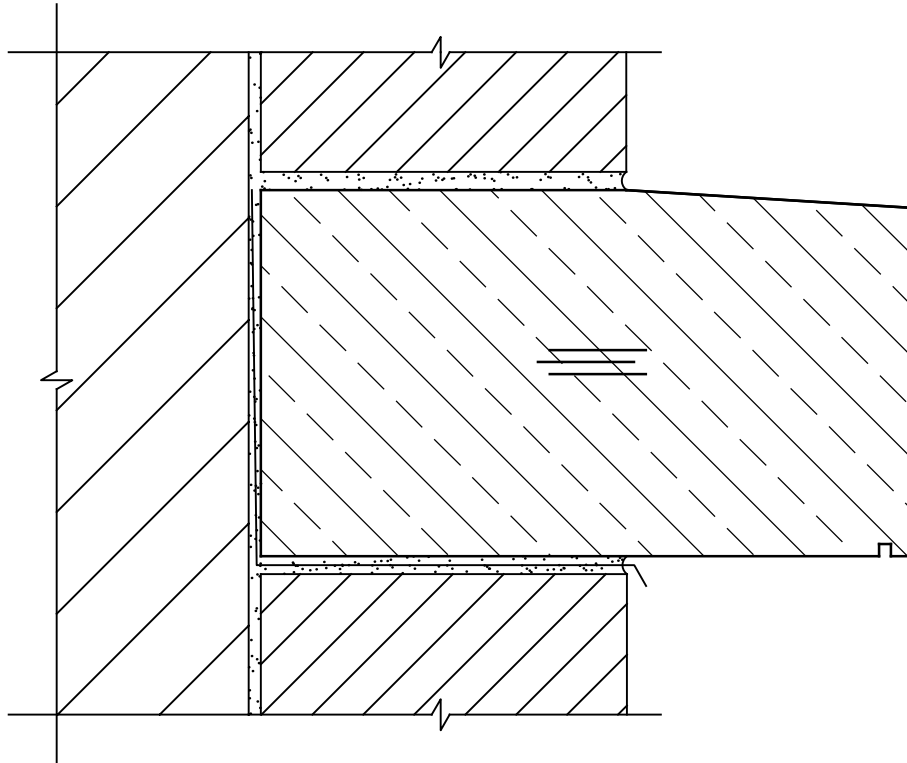
**SHEET DESCRIPTION:
WATERTABLE AND BANDING**

SCALE: 3" = 1'-0"

SHEET #:

6.2

REV. 07.27.12



V E T T E R S T O N E

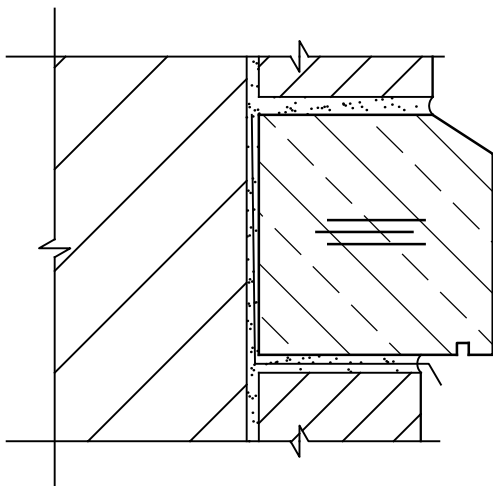
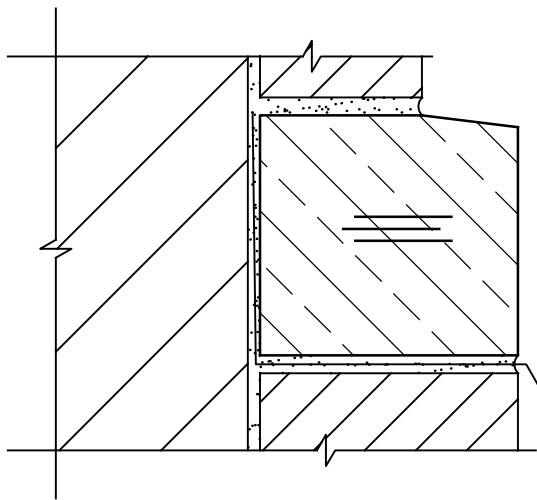
SHEET DESCRIPTION:
WATERTABLE AND BANDING

SCALE: 3" = 1'-0"

SHEET #:

6.3

REV. 07.27.12



V E T T E R S T O N E

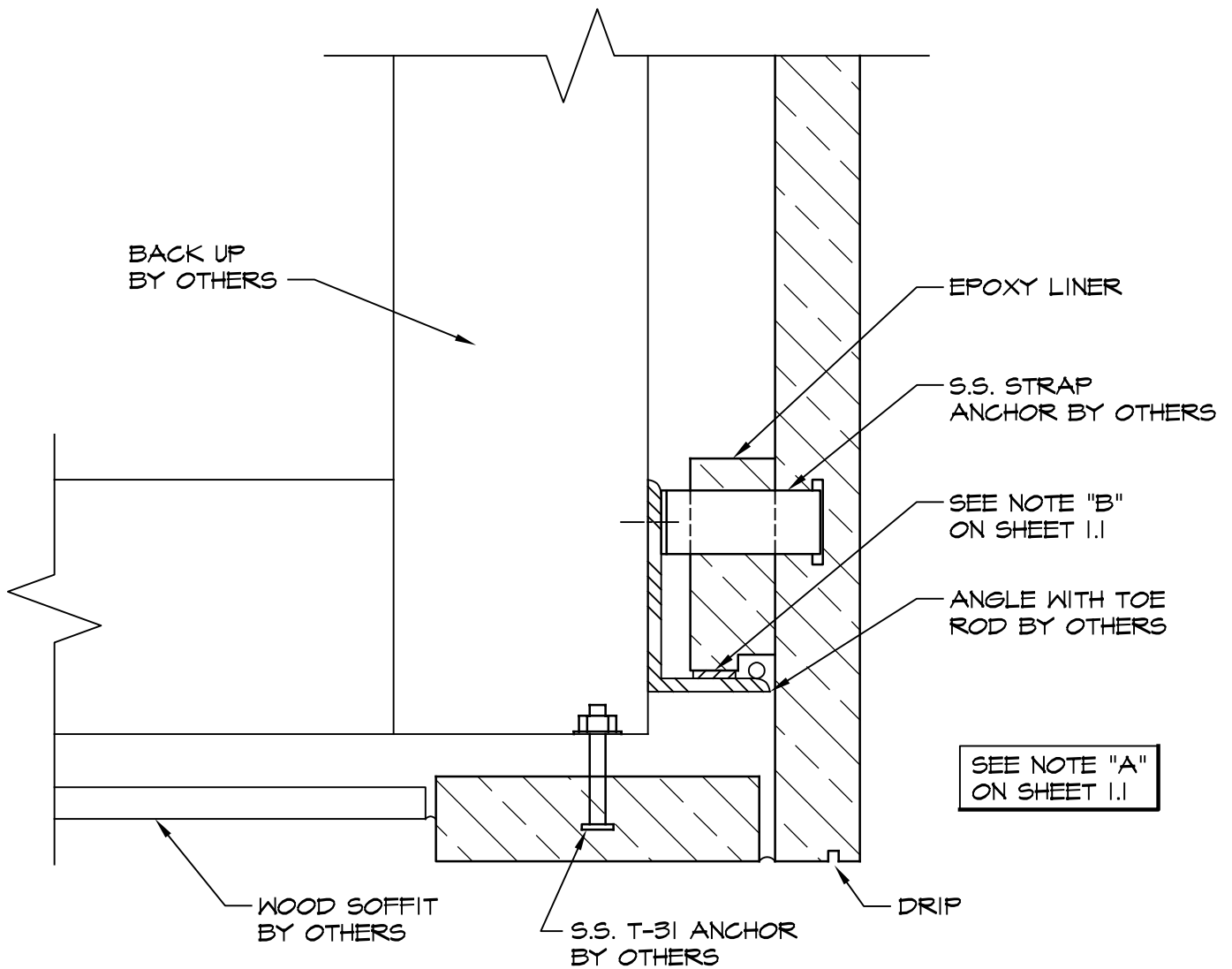
**SHEET DESCRIPTION:
WATERTABLE AND BANDING**

SCALE: 3" = 1'-0"

SHEET #:

6.4

REV. 07.27.12



CUTSTONE PANEL WITH SOFFIT



V E T T E R S T O N E

**SHEET DESCRIPTION:
SOFFIT AND FASCIA DETAILS**

SCALE: 3" = 1'-0"

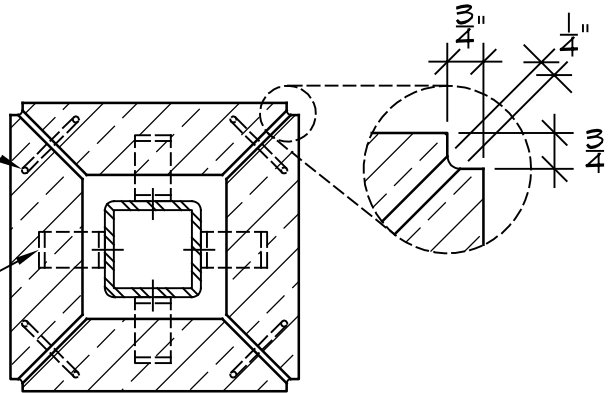
SHEET #:

7.1

REV. 07.27.12

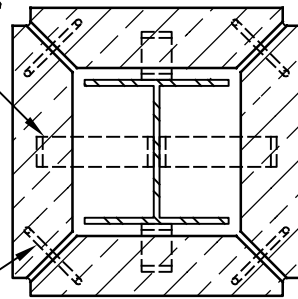
"CRAMP" ANCHOR AT TOP & BOT. OF EACH STONE, TYP.

"SPLIT TAIL" ANCHORS AT TOP & BOT. OF EACH STONE, TYP.



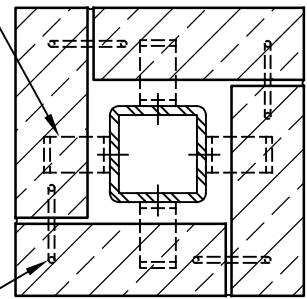
"SPLIT TAIL" ANCHORS AT TOP & BOT. OF EACH STONE, TYP.

"CRAMP" ANCHOR AT TOP & BOT. OF EACH STONE, TYP.



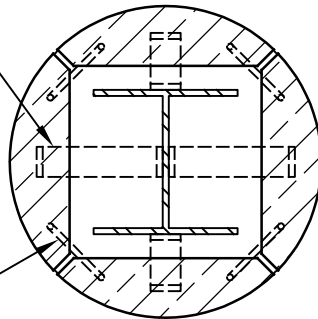
"SPLIT TAIL" ANCHORS AT TOP & BOT. OF EACH STONE, TYP.

"CRAMP" ANCHOR AT TOP & BOT. OF EACH STONE, TYP.



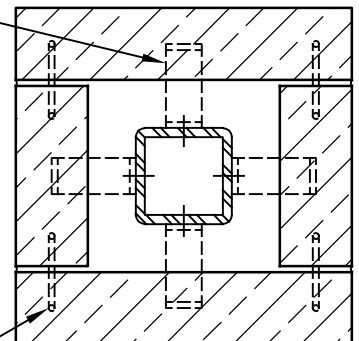
"SPLIT TAIL" ANCHORS AT TOP & BOT. OF EACH STONE, TYP.

"CRAMP" ANCHOR AT TOP & BOT. OF EACH STONE, TYP.



"SPLIT TAIL" ANCHORS AT TOP & BOT. OF EACH STONE, TYP.

"CRAMP" ANCHOR AT TOP & BOT. OF EACH STONE, TYP.



SEE NOTE "A" ON SHEET I.I

COLUMN FACING OPTIONS



V E T T E R S T O N E

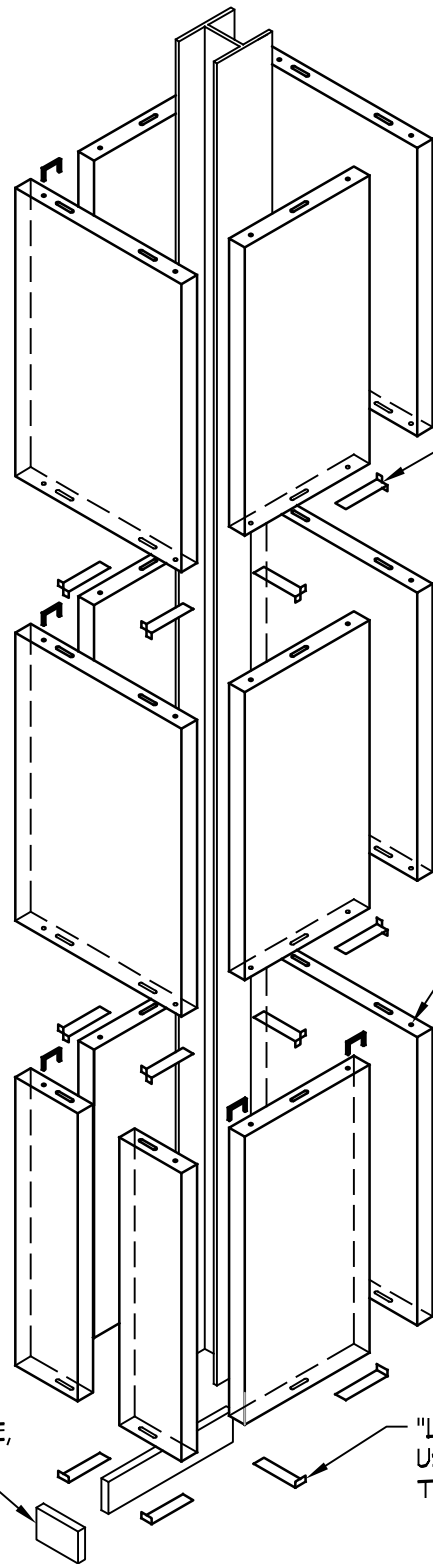
SHEET DESCRIPTION:
COLUMN FACING DETAILS

SCALE: 1 1/2" = 1'-0"

SHEET #:

8.1

REV. 07.27.12



"SPLIT TAIL" ANCHOR
- WELD TO COLUMN, TYP.

3/8" HOLES FOR ROD
CRAMPS AT CORNERS

1 1/4" x 3 1/2" BASE,
INTERIOR ONLY

"L" STRAP ANCHOR - WELD TO COLUMN,
USE AT BOTTOM OF BOTTOM STONE &
TOP OF TOP STONE

COLUMN FACING



V E T T E R S T O N E

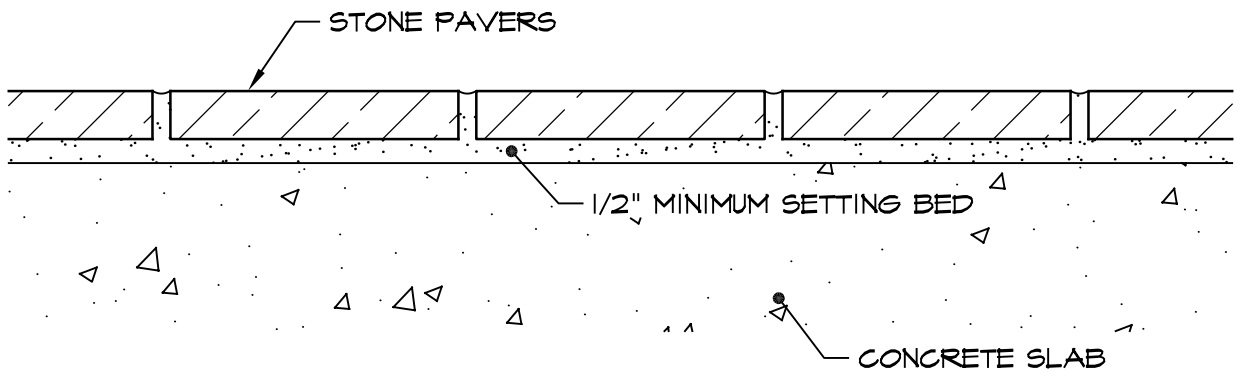
SHEET DESCRIPTION:
COLUMN FACING DETAILS

SCALE: 1/2" = 1'-0"

SHEET #:

8.2

REV. 07.27.12



STONE PAVERS ON SLAB



V E T T E R S T O N E

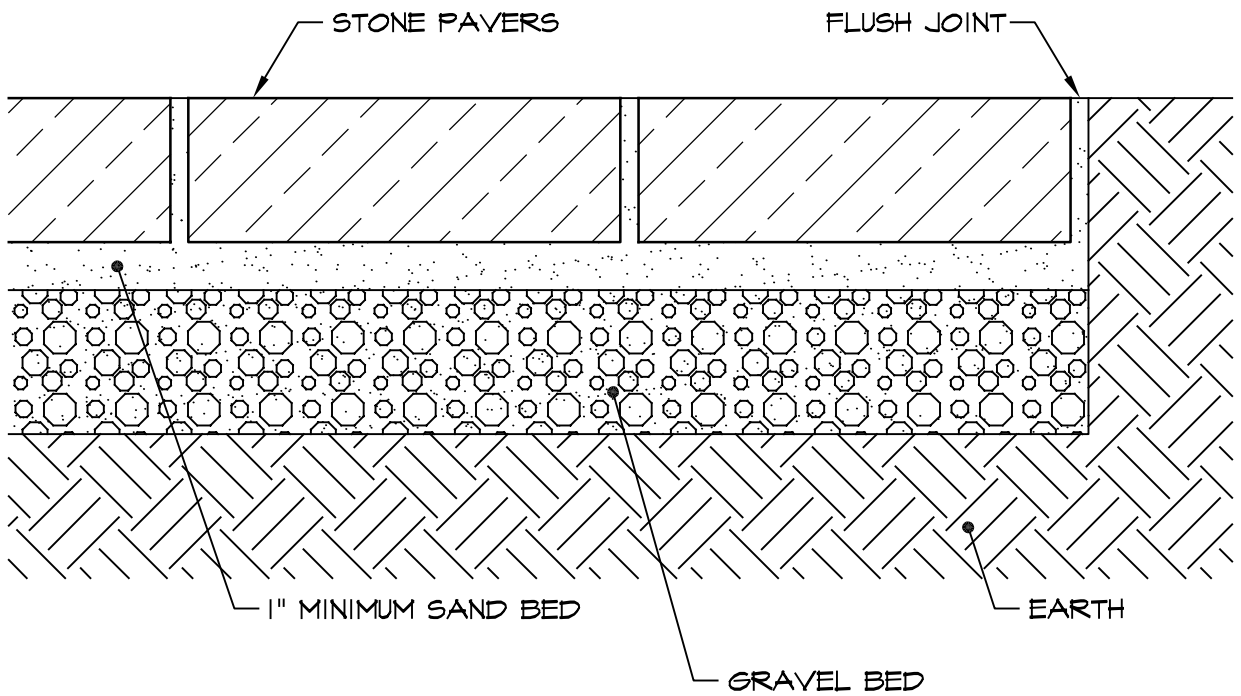
**SHEET DESCRIPTION:
PAVERS, FLOORING, AND FLAGSTONE**

SCALE: 3" = 1'-0"

SHEET #:

9.1

REV. 07.27.12



STONE PAVERS ON SAND BED



V E T T E R S T O N E

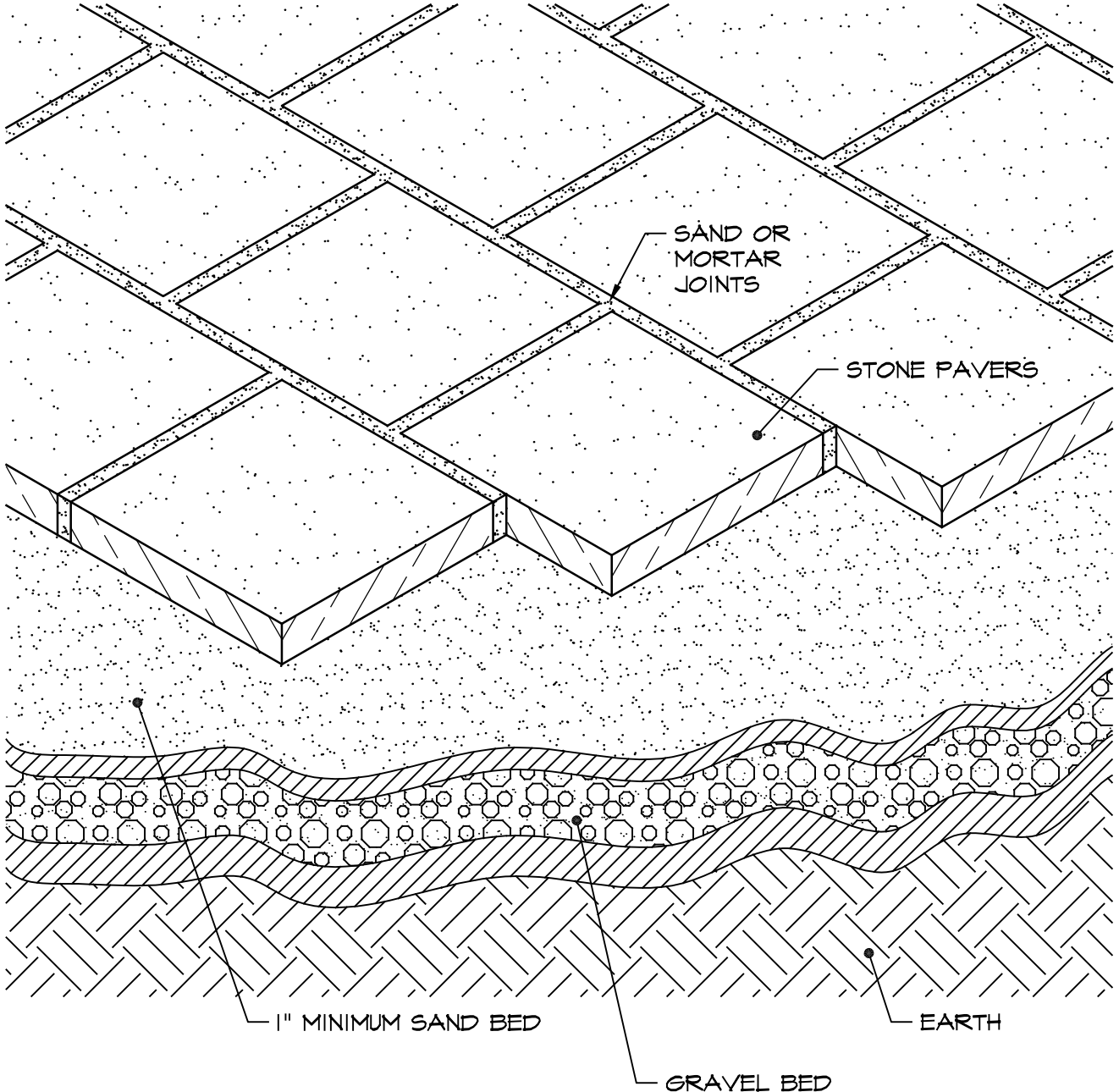
**SHEET DESCRIPTION:
PAVERS, FLOORING, AND FLAGSTONE**

SCALE: 3" = 1'-0"

SHEET #:

9.2

REV. 07.27.12



STONE PAVERS INSTALLATION: SAND FILL METHOD



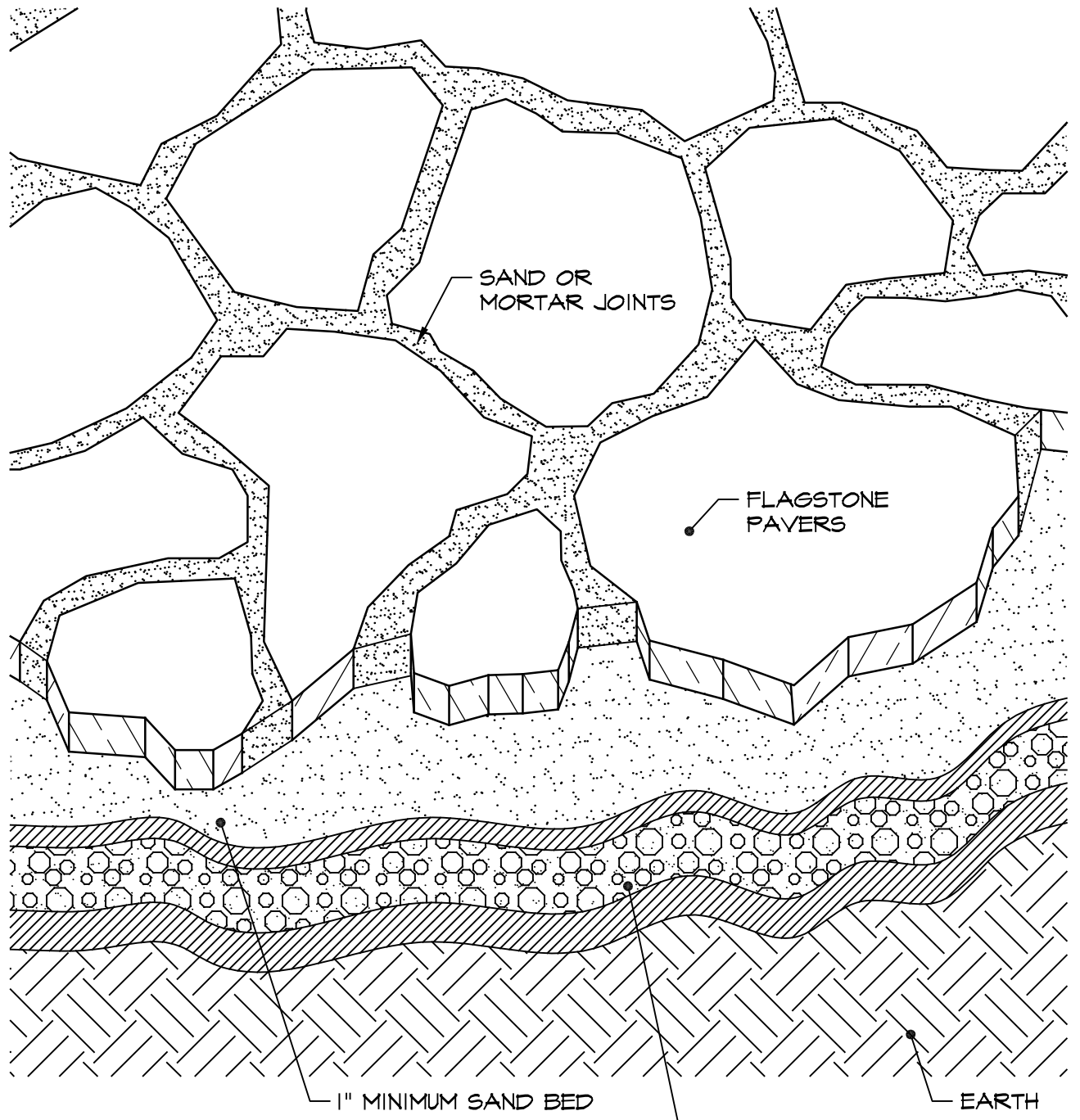
**SHEET DESCRIPTION:
PAVERS, FLOORING, AND FLAGSTONE**

SHEET #:

9.3

SCALE: 3" = 1'-0"

REV. 07.27.12



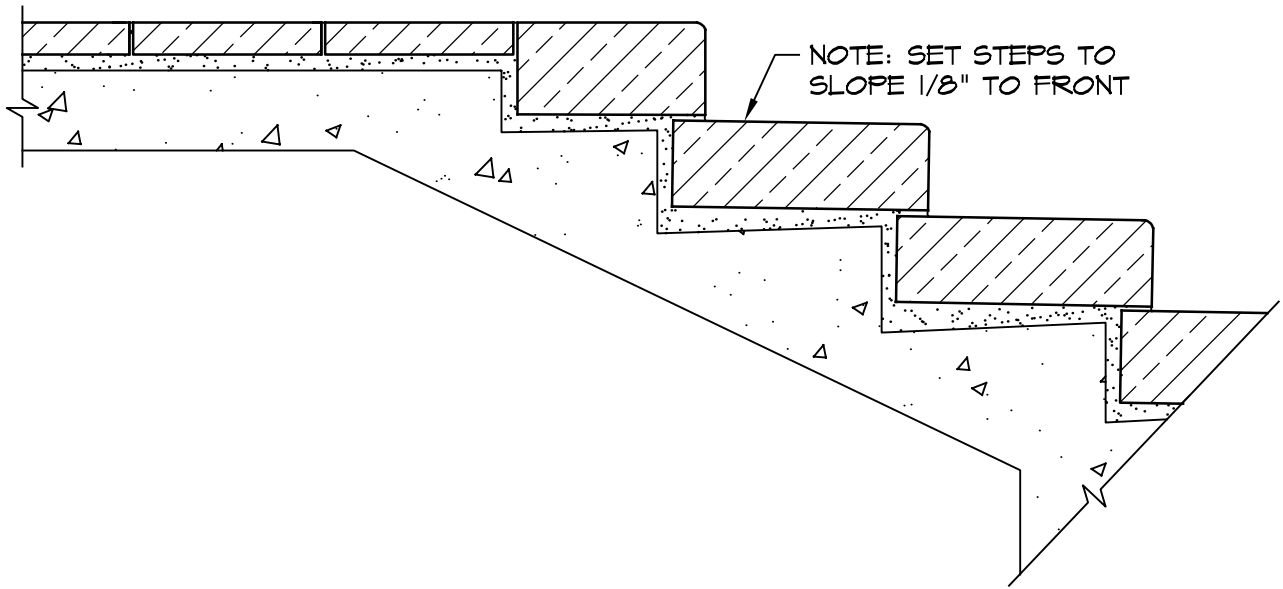
* JOINTS CAN BE FILLED W/ SAND OR GROUT.
 FOR BEST RESULTS, ALLOW JOINT TO VARY
 FROM 1/2" TO 1 1/2".

FLAGSTONE PAVERS INSTALLATION

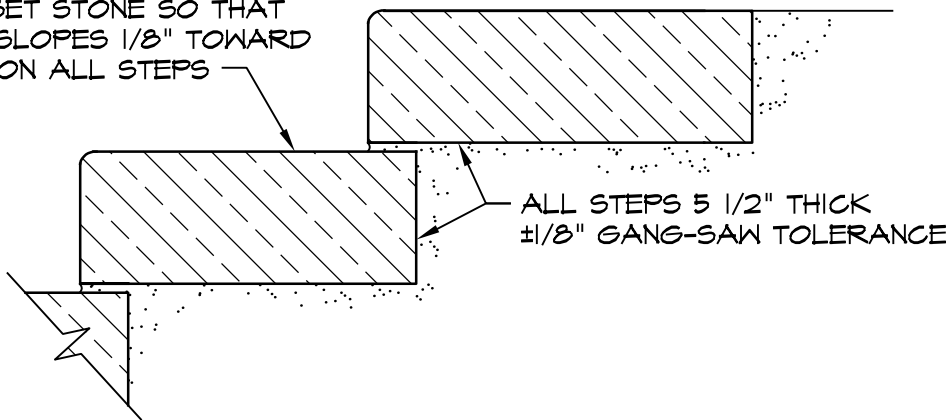


SHEET DESCRIPTION:
PAVERS, FLOORING, AND FLAGSTONE
SCALE: 3" = 1'-0"

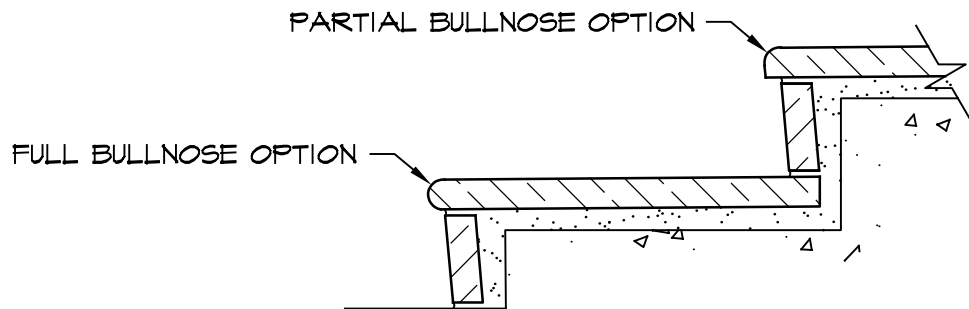
SHEET #:
9.4
 REV. 07.27.12



NOTE: SET STONE SO THAT
STONE SLOPES 1/8" TOWARD
FRONT ON ALL STEPS



ALL STEPS 5 1/2" THICK
±1/8" GANG-SAW TOLERANCE



V E T T E R S T O N E

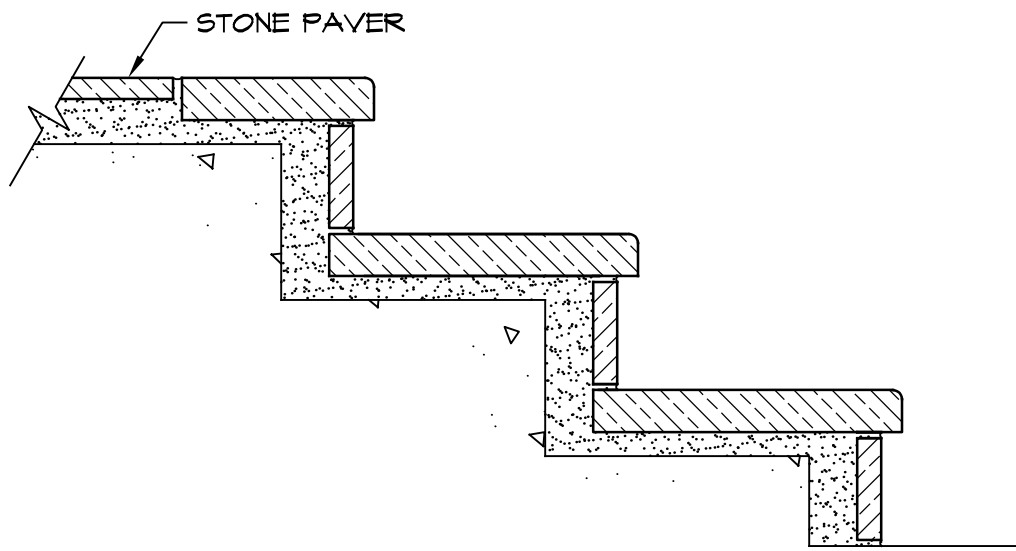
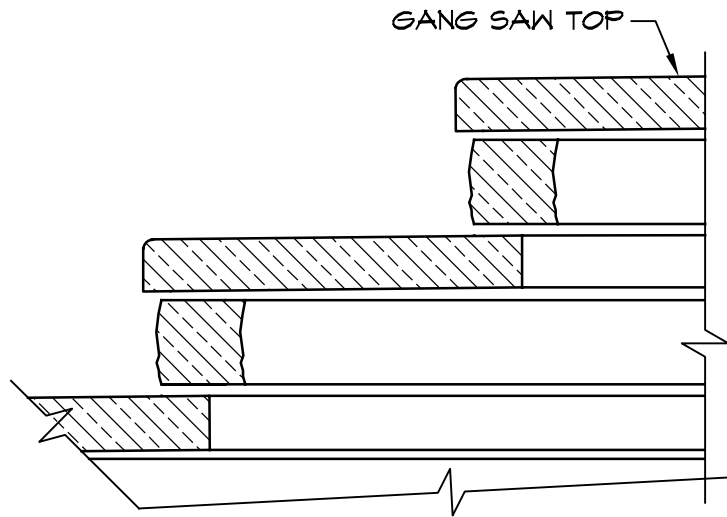
SHEET DESCRIPTION:
STAIR TREAD, RISER, AND
NOSING DETAILS

SCALE: 1" = 1'-0" & 1 1/2" = 1'-0"

SHEET #:

10.1

REV. 07.27.12



V E T T E R S T O N E

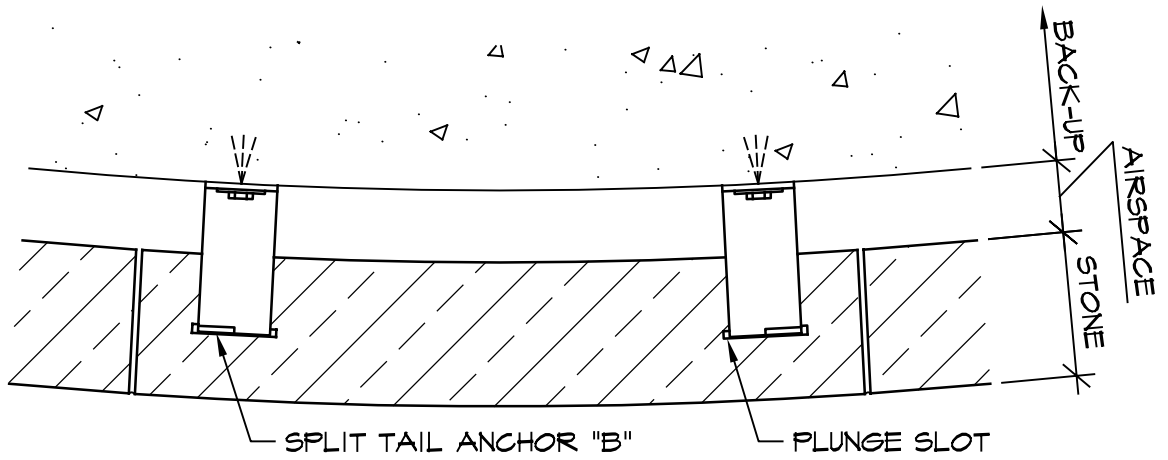
SHEET DESCRIPTION:
STAIR TREAD, RISER, AND
NOSING DETAILS

SCALE: 1 1/2" = 1'-0"

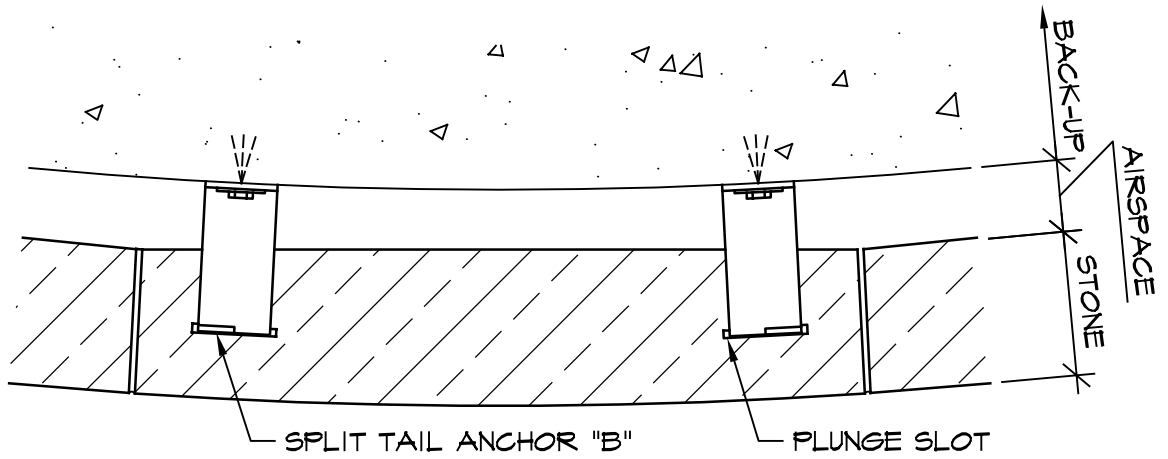
SHEET #:

10.2

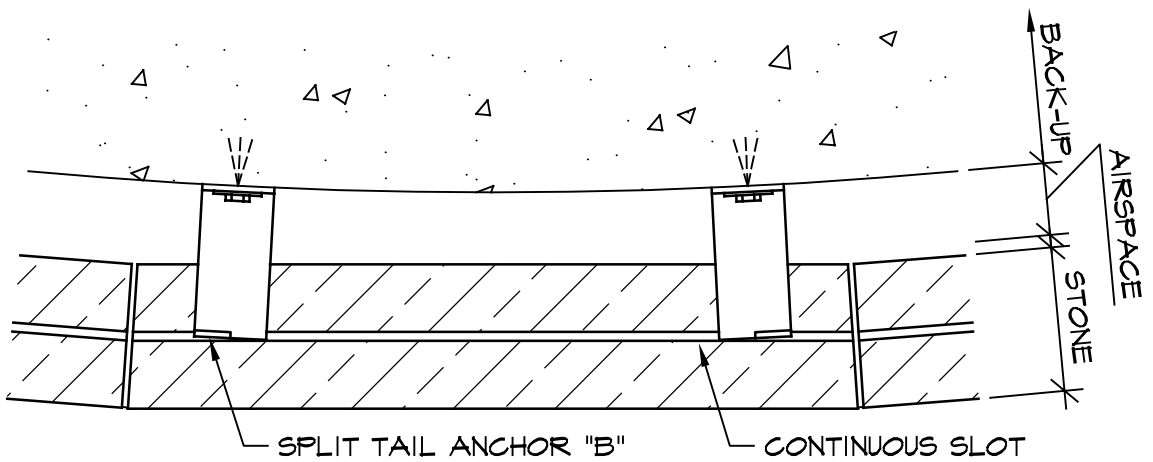
REV. 07.27.12



RADIAL FACE WITH CURVED BACK



RADIAL FACE WITH FLAT BACK



FLAT SEGMENTED FACE WITH FLAT BACK



V E T T E R S T O N E

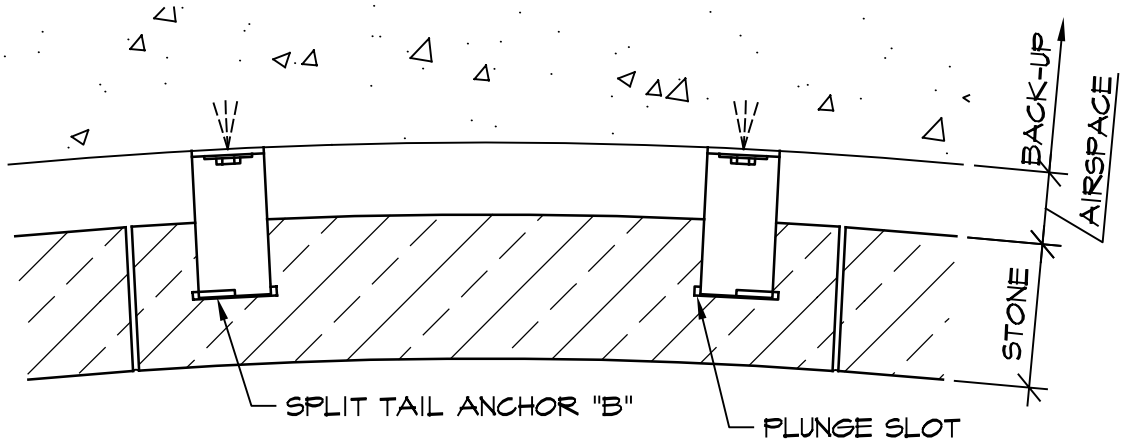
SHEET DESCRIPTION:
RADIAL STONE

SCALE: 3" = 1'-0"

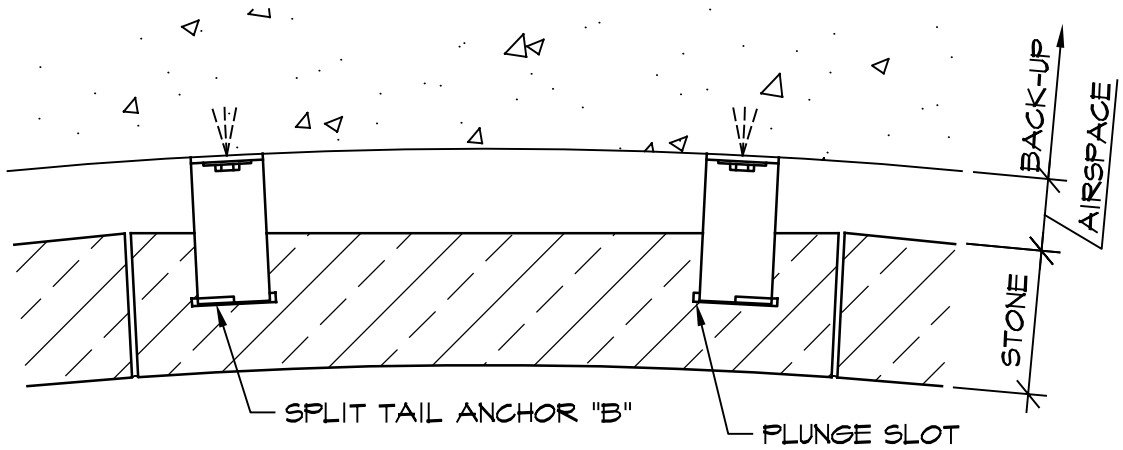
SHEET #:

11.1

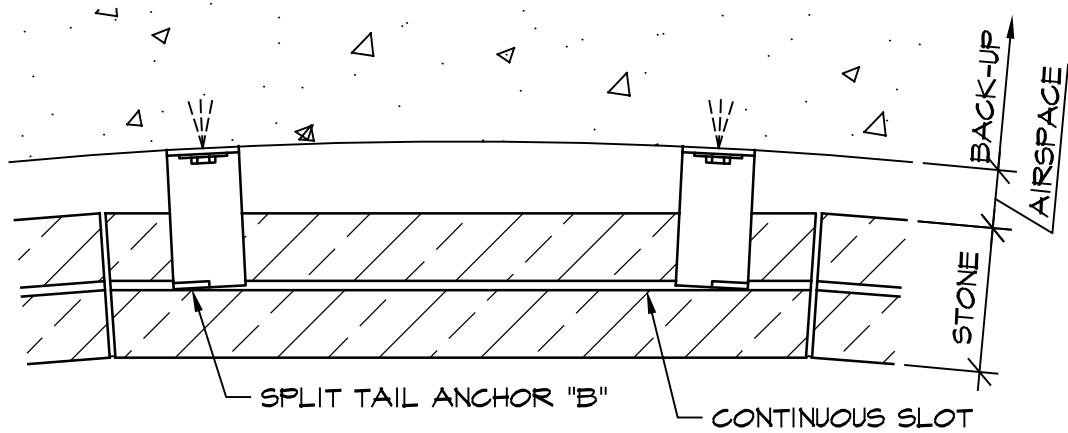
REV. 07.27.12



RADIAL FACE WITH CURVED BACK



RADIAL FACE WITH FLAT BACK



FLAT SEGMENTED FACE WITH FLAT BACK



V E T T E R S T O N E

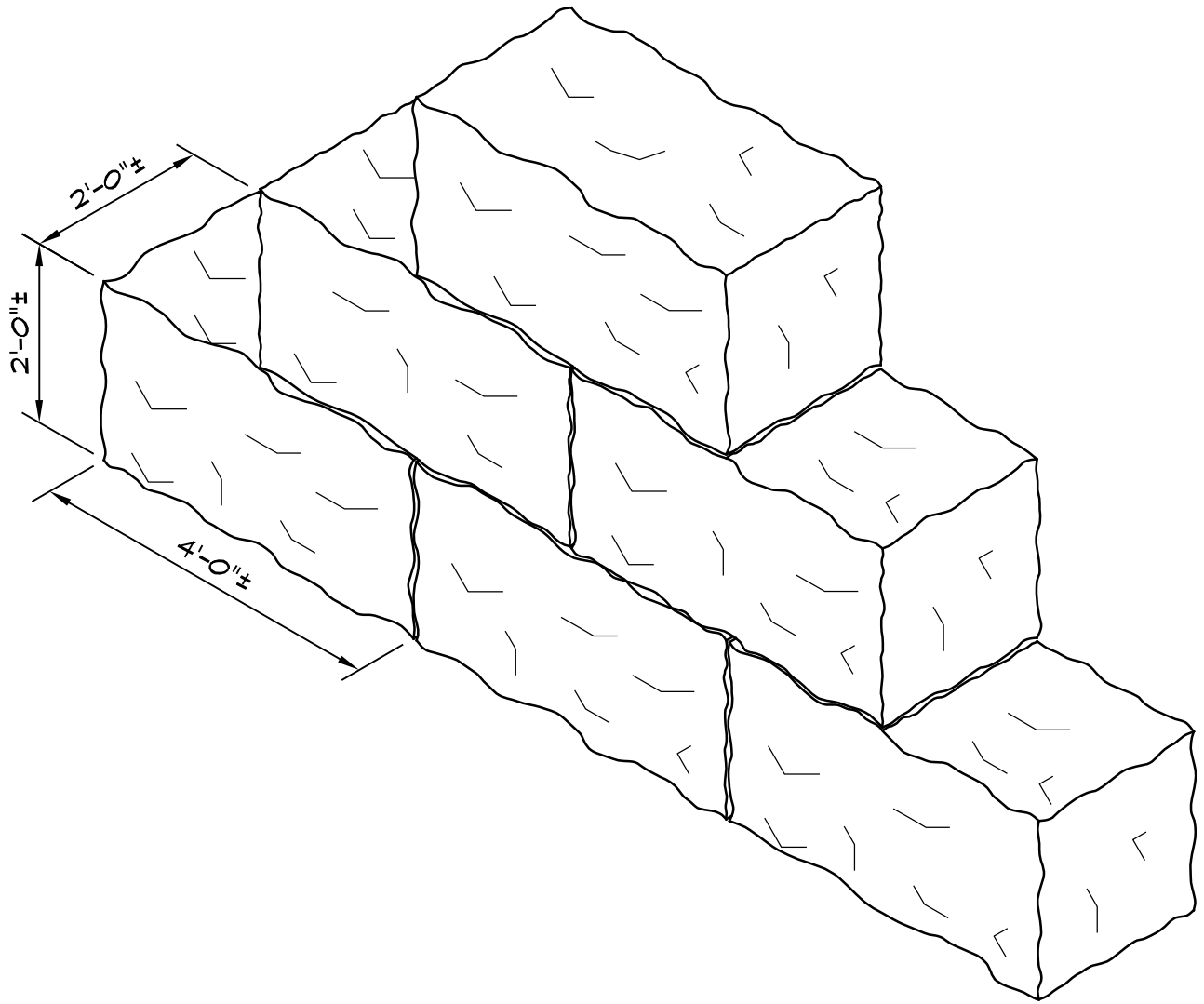
SHEET DESCRIPTION:
RADIAL STONE

SCALE: 3" = 1'-0"

SHEET #:

11.2

REV. 07.27.12



LANDSCAPE BLOCKS



V E T T E R S T O N E

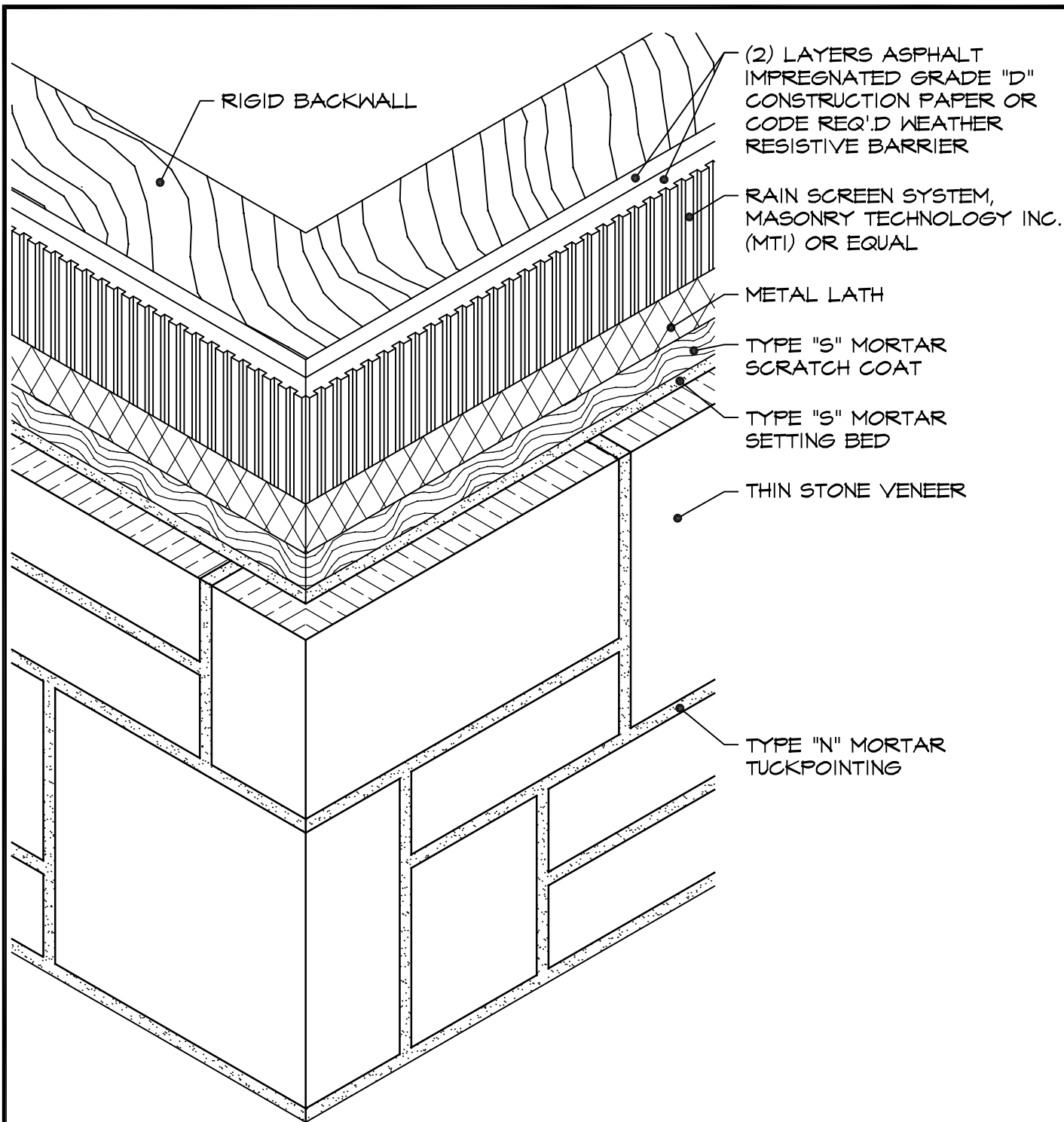
**SHEET DESCRIPTION:
LANDSCAPE BLOCKS**

SCALE: 1/2" = 1'-0"

SHEET #:

12.1

REV. 07.27.12



RIGID BACKWALL

(2) LAYERS ASPHALT IMPREGNATED GRADE "D" CONSTRUCTION PAPER OR CODE REQ'D WEATHER RESISTIVE BARRIER

RAIN SCREEN SYSTEM, MASONRY TECHNOLOGY INC. (MTI) OR EQUAL

METAL LATH

TYPE "S" MORTAR SCRATCH COAT

TYPE "S" MORTAR SETTING BED

THIN STONE VENEER

TYPE "N" MORTAR TUCKPOINTING

PLYWOOD, PANELING, WALL SHEATHING, WALLBOARD

COVER SHEATHING WITH (2) LAYERS ASPHALT IMPREGNATED GRADE "D" CONSTRUCTION PAPER OR CODE REQ'D. WEATHER RESISTIVE BARRIER. ATTACH RAIN SCREEN SYSTEM, MASONRY TECHNOLOGY INC. (MTI) OR EQUAL. THEN, IN ACCORDANCE WITH LOCAL BUILDING CODE, INSTALL LATH OR MESH USING GALVANIZED NAILS OR STAPLES 6" ON CENTER VERTICALLY AND 16" ON CENTER HORIZONTALLY, PENETRATING STUDS A MINIMUM OF 1". STOP LATH 1" FROM FINISHED EDGES.

EXTERIOR APPLICATION WITH RIGID BACKWALL



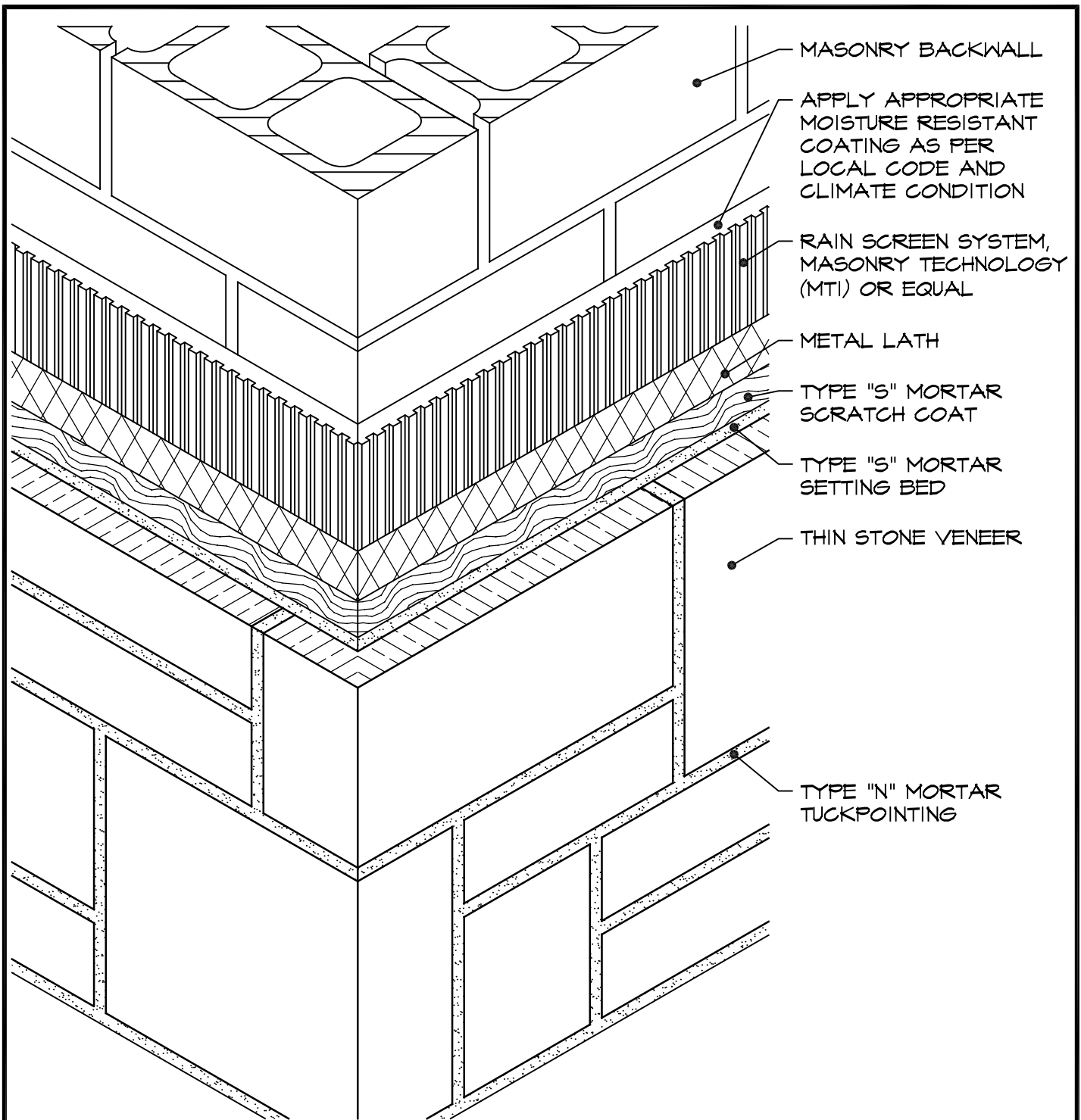
**SHEET DESCRIPTION:
THIN SET VENEERS**

SCALE: 3" = 1'-0"

SHEET #:

13.1

REV. 02.28.24



MASONRY BACKWALL

APPLY APPROPRIATE MOISTURE RESISTANT COATING AS PER LOCAL CODE AND CLIMATE CONDITION

RAIN SCREEN SYSTEM, MASONRY TECHNOLOGY (MTI) OR EQUAL

METAL LATH

TYPE "S" MORTAR SCRATCH COAT

TYPE "S" MORTAR SETTING BED

THIN STONE VENEER

TYPE "N" MORTAR TUCKPOINTING

CONCRETE, MASONRY, STUCCO

CLEAN AND UNTREATED: NO PREPARATION NEEDED. EXAMINE NEWLY POURED CONCRETE CLOSELY TO ENSURE THAT ITS FINISHED SURFACE CONTAINS NO RELEASE AGENTS (FORM OIL). IF IT DOES CONTAIN FORM OIL, ETCH SURFACE WITH MURIATIC ACID, RINSE THOROUGHLY AND/OR SCORE WITH A WIRE BRUSH.

SEALED, DIRTY, PAINTED: SANDBLAST OR WATERBLAST TO ORIGINAL SURFACE (REMOVE SANDBLASTING DUST BY WASHING) OR SECURELY ATTACH LATH WITH CONCRETE NAILS.

EXTERIOR APPLICATION WITH MASONRY BACKWALL



V E T T E R S T O N E

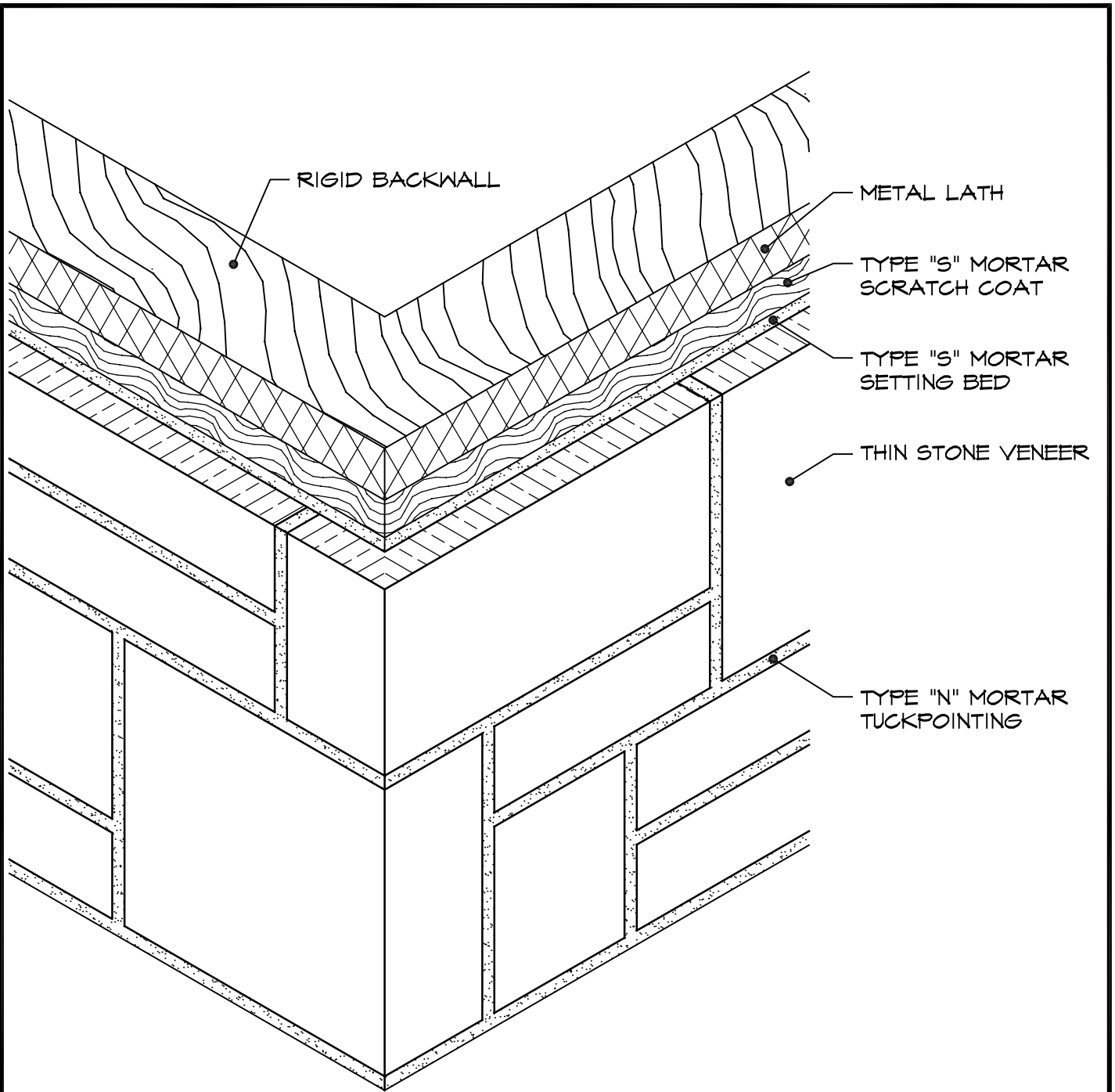
**SHEET DESCRIPTION:
THIN SET VENEERS**

SCALE: 3" = 1'-0"

SHEET #:

13.2

REV. 02.28.24



PLYWOOD, PANELING, WALL SHEATHING, WALLBOARD

IN ACCORDANCE WITH LOCAL BUILDING CODE, INSTALL LATH OR MESH USING GALVANIZED NAILS OR STAPLES 6" ON CENTER VERTICALLY AND 16" ON CENTER HORIZONTALLY, PENETRATING STUDS A MINIMUM OF 1". STOP LATH 1" FROM FINISHED EDGES.

INTERIOR APPLICATION WITH RIGID BACKWALL



V E T T E R S T O N E

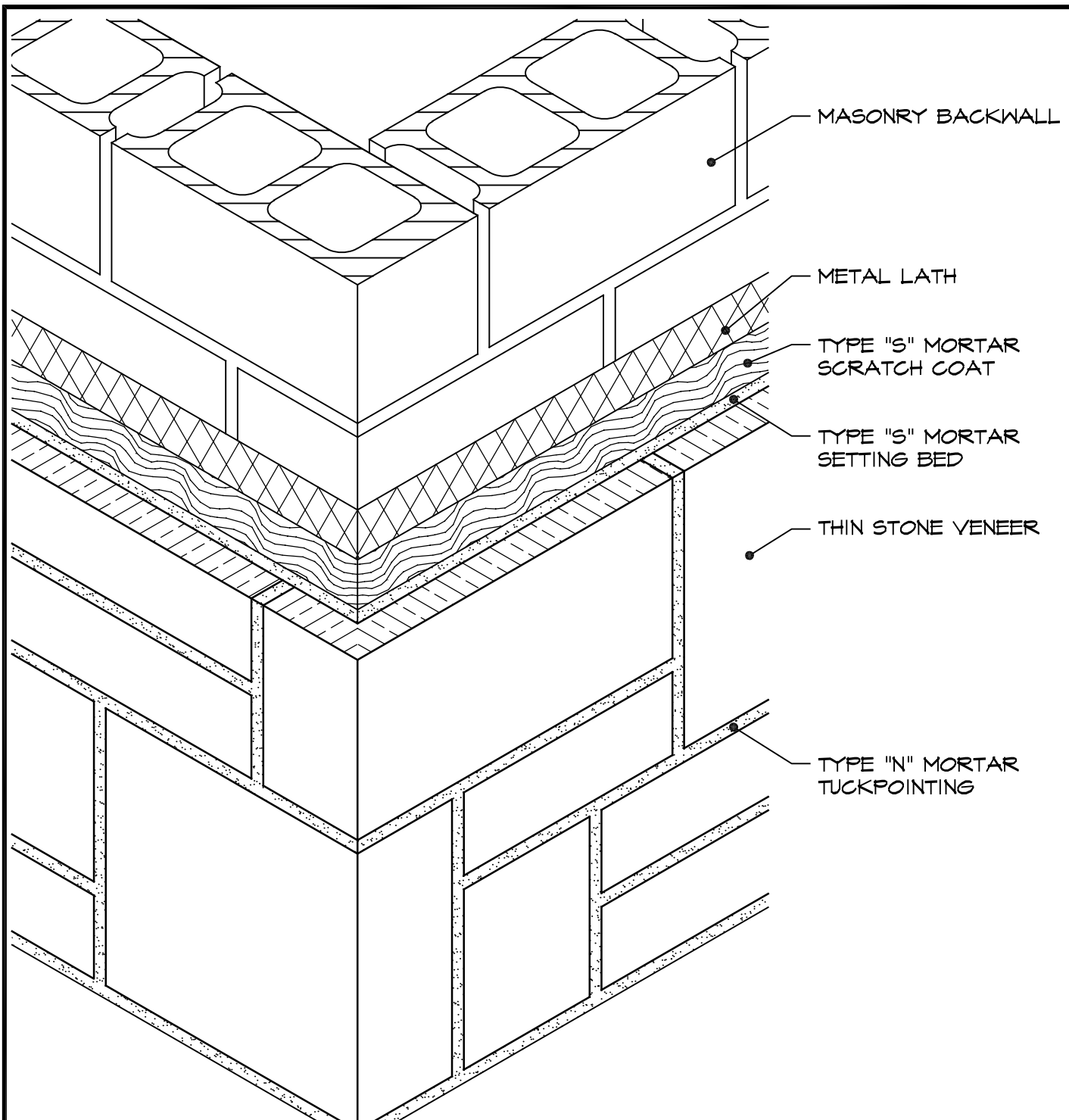
**SHEET DESCRIPTION:
THIN SET VENEERS**

SCALE: 3" = 1'-0"

SHEET #:

13.3

REV. 02.28.24



MASONRY BACKWALL

METAL LATH

TYPE "S" MORTAR
SCRATCH COAT

TYPE "S" MORTAR
SETTING BED

THIN STONE VENEER

TYPE "N" MORTAR
TUCKPOINTING

CONCRETE, MASONRY, STUCCO

CLEAN AND UNTREATED: NO PREPARATION NEEDED. EXAMINE NEWLY POURED CONCRETE CLOSELY TO ENSURE THAT ITS FINISHED SURFACE CONTAINS NO RELEASE AGENTS (FORM OIL). IF IT DOES CONTAIN FORM OIL, ETCH SURFACE WITH MURIATIC ACID, RINSE THOROUGHLY AND/OR SCORE WITH A WIRE BRUSH.

SEALED, DIRTY, PAINTED: SANDBLAST OR WATERBLAST TO ORIGINAL SURFACE (REMOVE SANDBLASTING DUST BY WASHING) OR SECURELY ATTACH LATH WITH CONCRETE NAILS.

INTERIOR APPLICATION WITH MASONRY BACKWALL



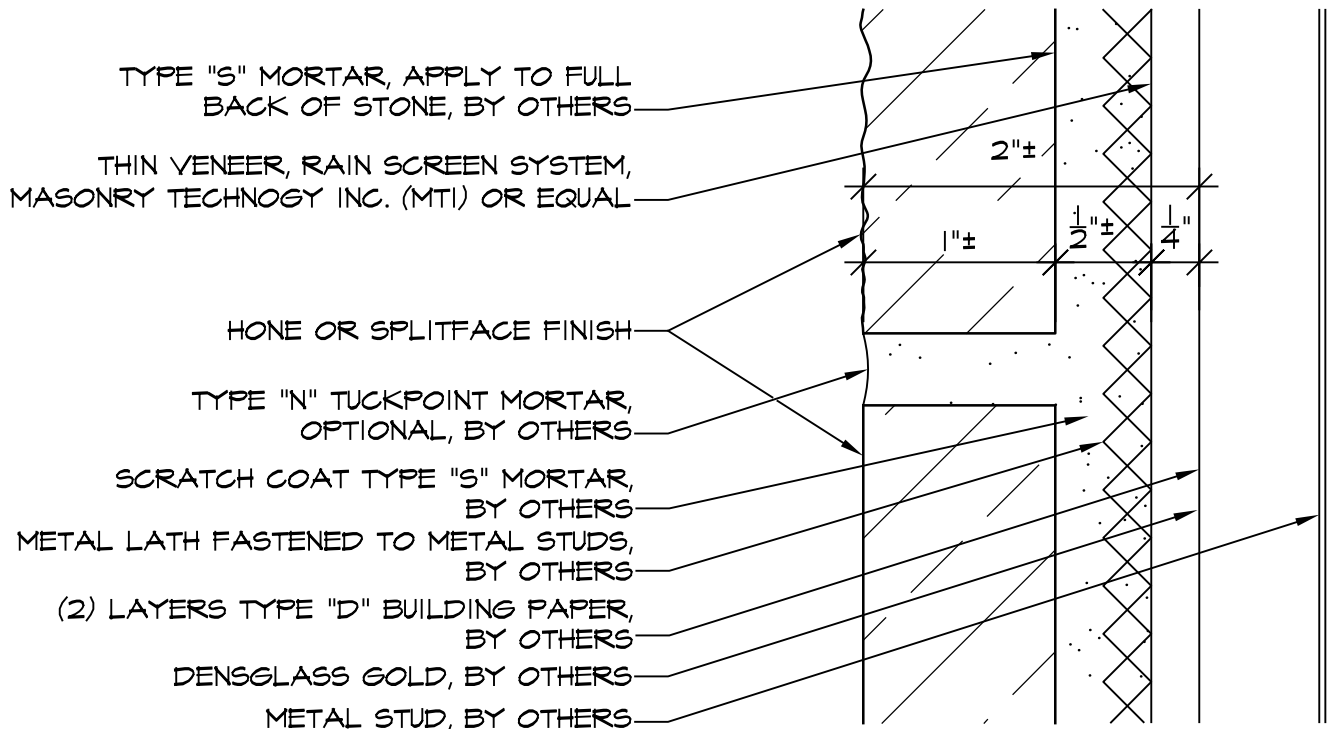
**SHEET DESCRIPTION:
THIN SET VENEERS**

SCALE: 3" = 1'-0"

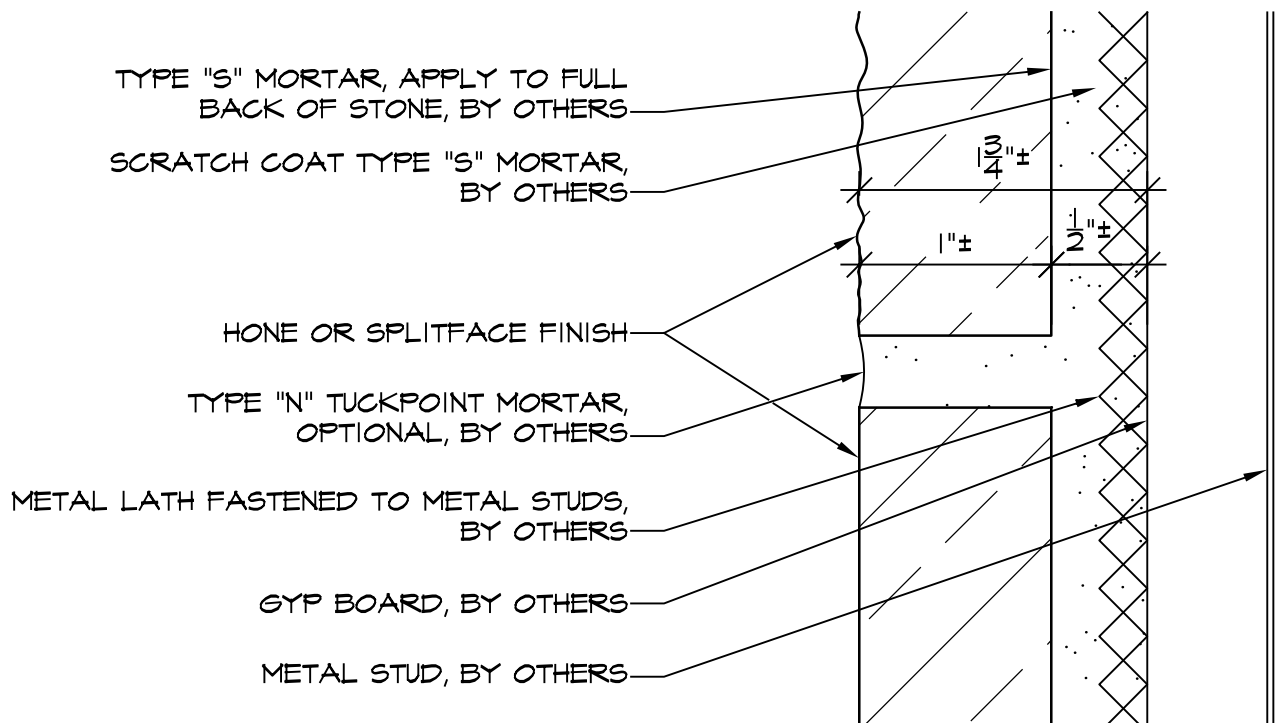
SHEET #:

13.4

REV. 02.28.24



EXTERIOR THIN STONE DETAIL



INTERIOR THIN STONE DETAIL

THIN VENEER ON METAL STUD BACKUP



V E T T E R S T O N E

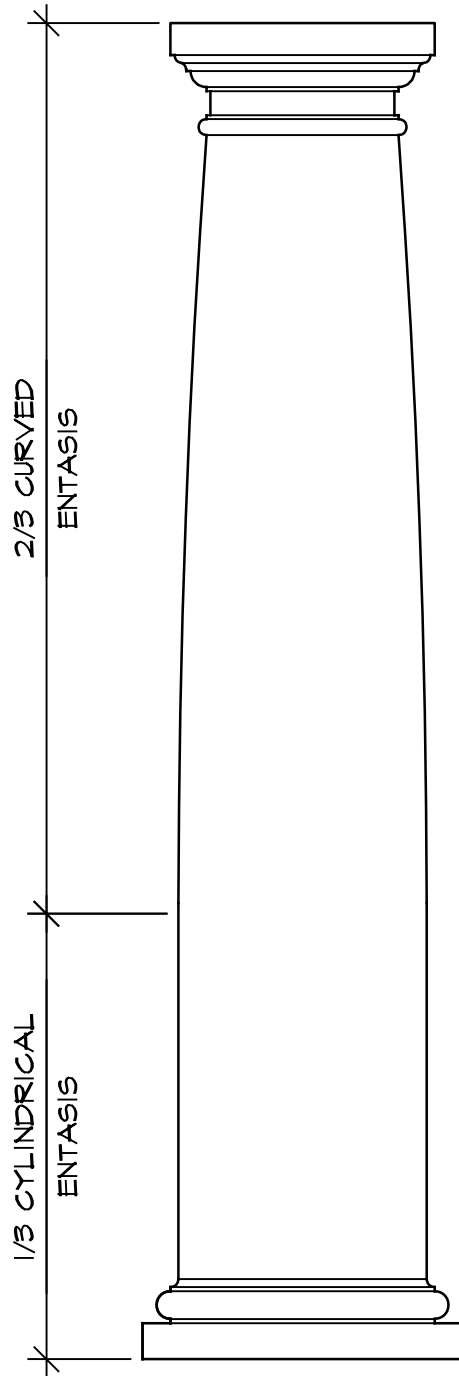
**SHEET DESCRIPTION:
THIN SET VENEERS**

SCALE: FULL

SHEET #:

13.5

REV. 02.28.24



COLUMNS

CALL FOR SIZE AND DESIGN LIMITATIONS



V E T T E R S T O N E

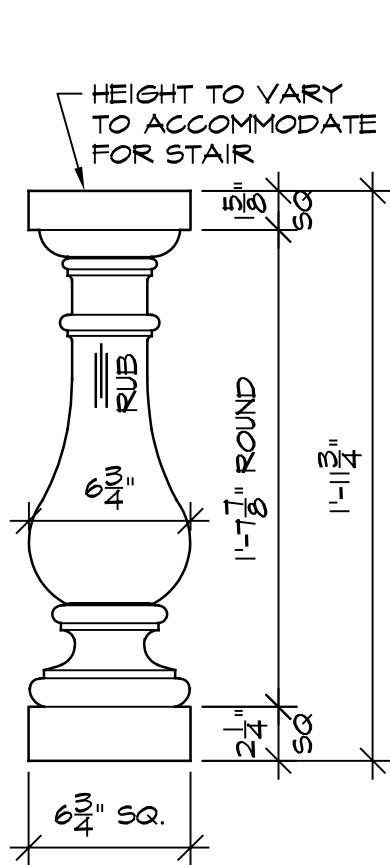
**SHEET DESCRIPTION:
COLUMNS AND BALUSTERS**

SCALE: 1" = 1'-0"

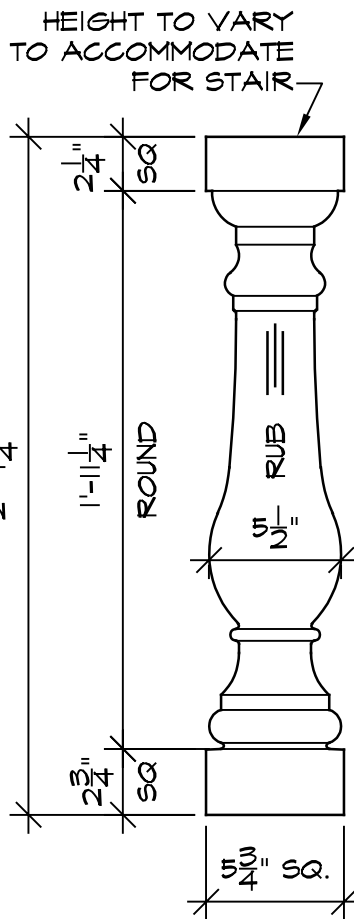
SHEET #:

14.1

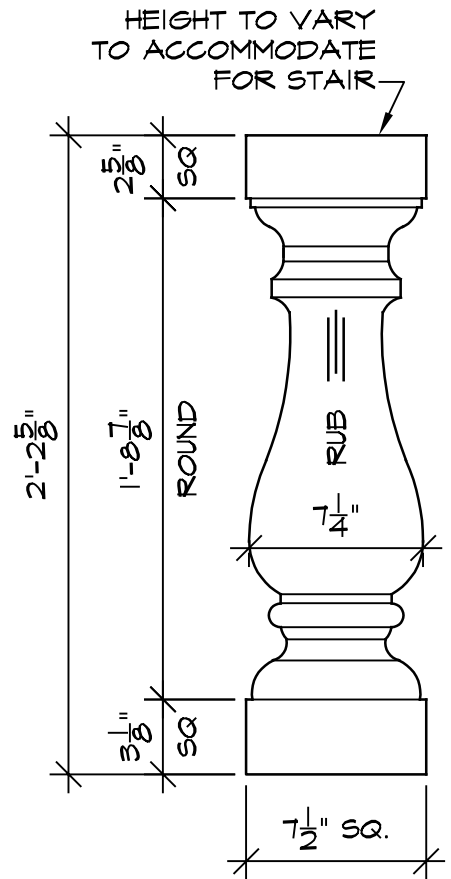
REV. 07.27.12



TYPE "A"



TYPE "B"



TYPE "C"

BALUSTERS

CALL FOR SIZE AND DESIGN LIMITATIONS



V E T T E R S T O N E

SHEET DESCRIPTION:
COLUMNS AND BALUSTERS

SCALE: 1 1/2" = 1'-0"

SHEET #:

14.2

REV. 02.28.24